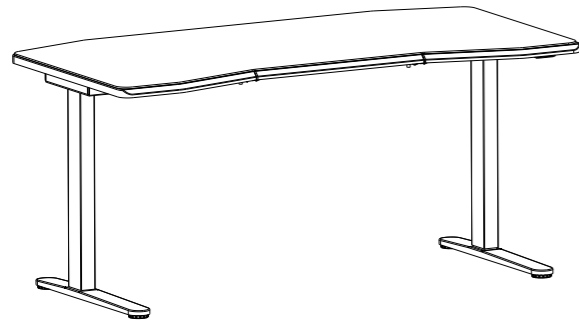


NITRO CONCEPTS D16M

Installation Guide



Technical Data:

Column Stage	2 stage
Max Loading Capacity	80 KG / 176.4 LBS
Height Range	725 - 825 mm / 28.5 - 32.5 in

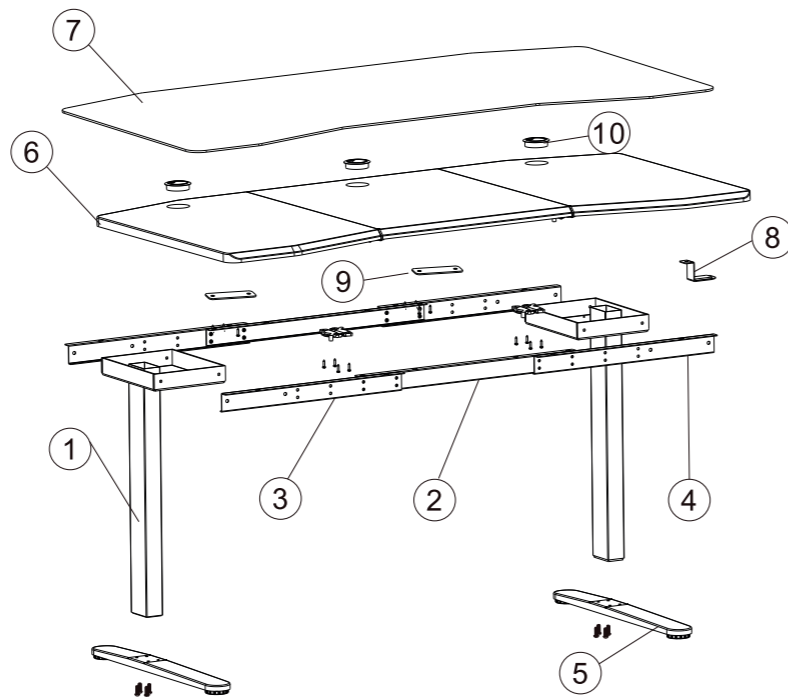
Accessory List

Attention: The drawings below are for reference only, which might be slightly different from the actual product. Any missing tools or installation issues, please contact customer service.

No.	Image	Spec	Qty
A		M6×16mm	16
B		M6 washer	16
C		M8×16mm	8
D		M8 washer	8
E		M6×16mm	8
F		Allen Key 5x5mm	1
G		Allen Key 4x4mm	1
H		ST4.8*16	16
I		M5 washer	16

Component List:

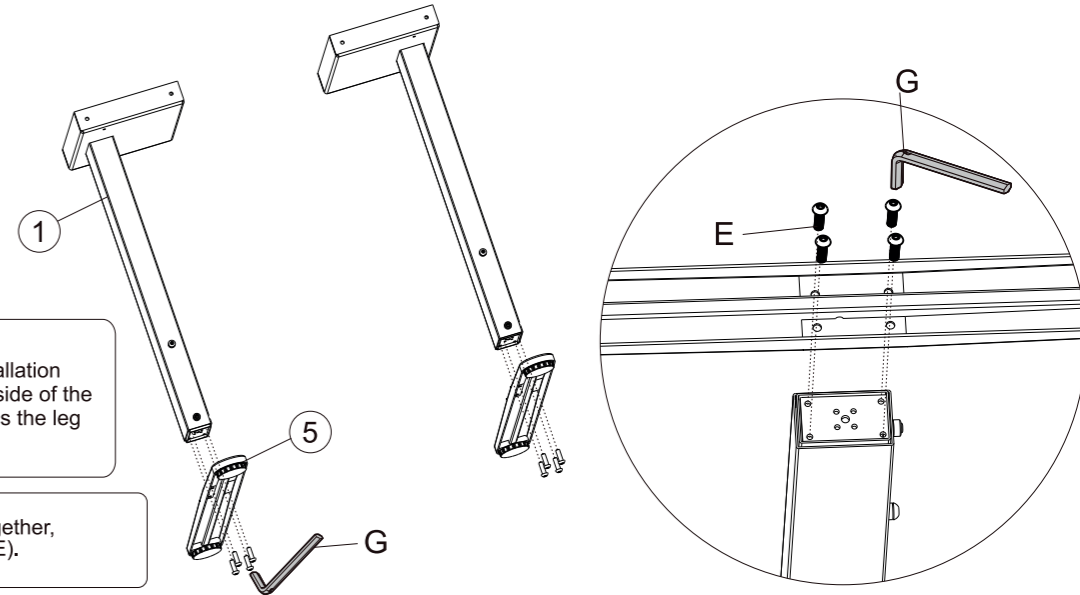
No.	Part	Qty	No.	Part	Qty
①	Table Leg	2	②	Middle Crossbeam	2
③	Left Crossbeam	2	④	Right Crossbeam	2
⑤	Pedestal	2			



Customer required

No.	Part	Qty	No.	Part	Qty
⑥	Table Board	1	⑦	Table mat	1
⑧	Headphone holder	1	⑨	Table board connector	4
			⑩	Desktop piercing cover	3
			⑪	Cone	8
			⑫	Protective Sheet	1

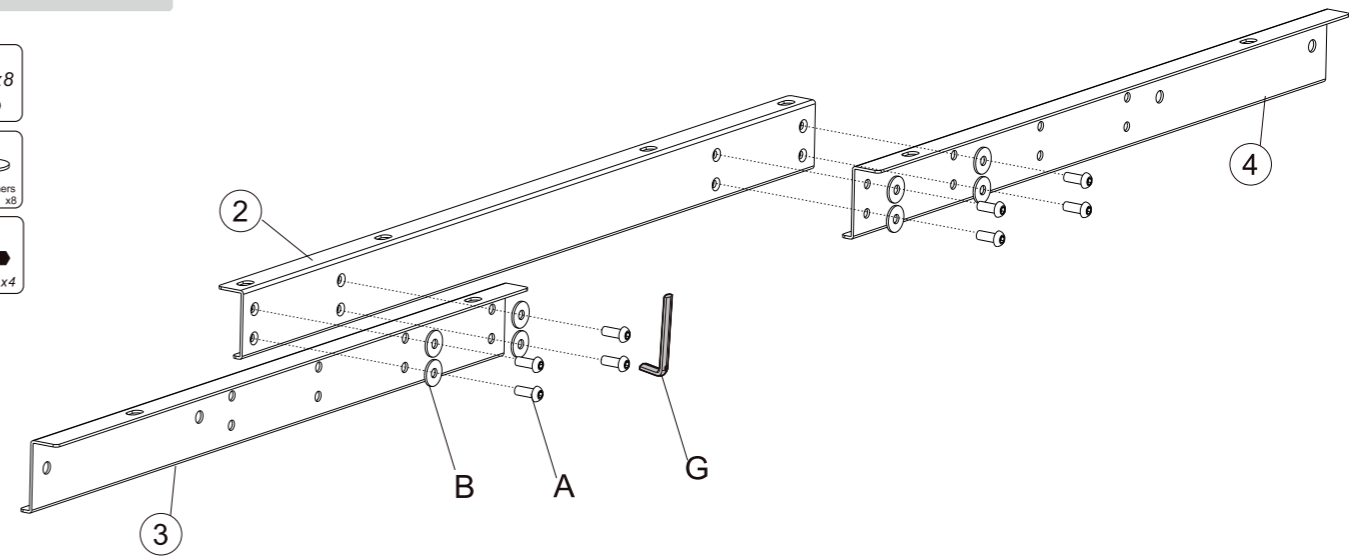
STEP 1



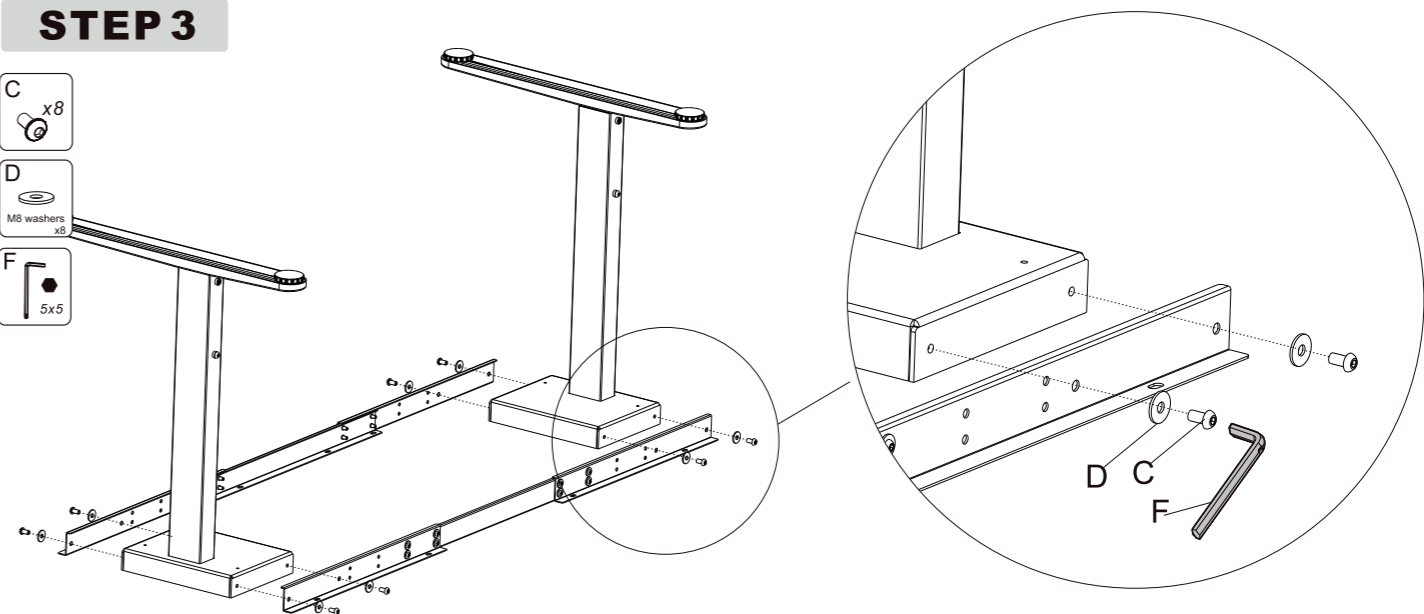
Please pay attention to the installation direction of the legs. The short side of the table legs is on the same side as the leg nut.

Install pedestal (5) and table legs (1) together, use 4*4 allen key (G) to tighten screws (E).

STEP 2

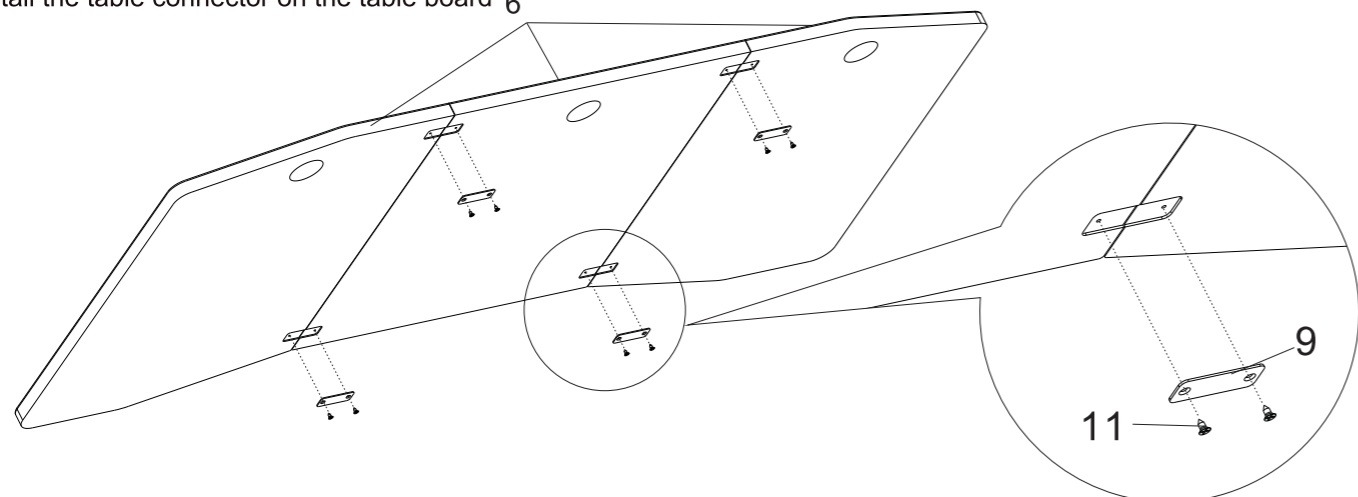


STEP 3



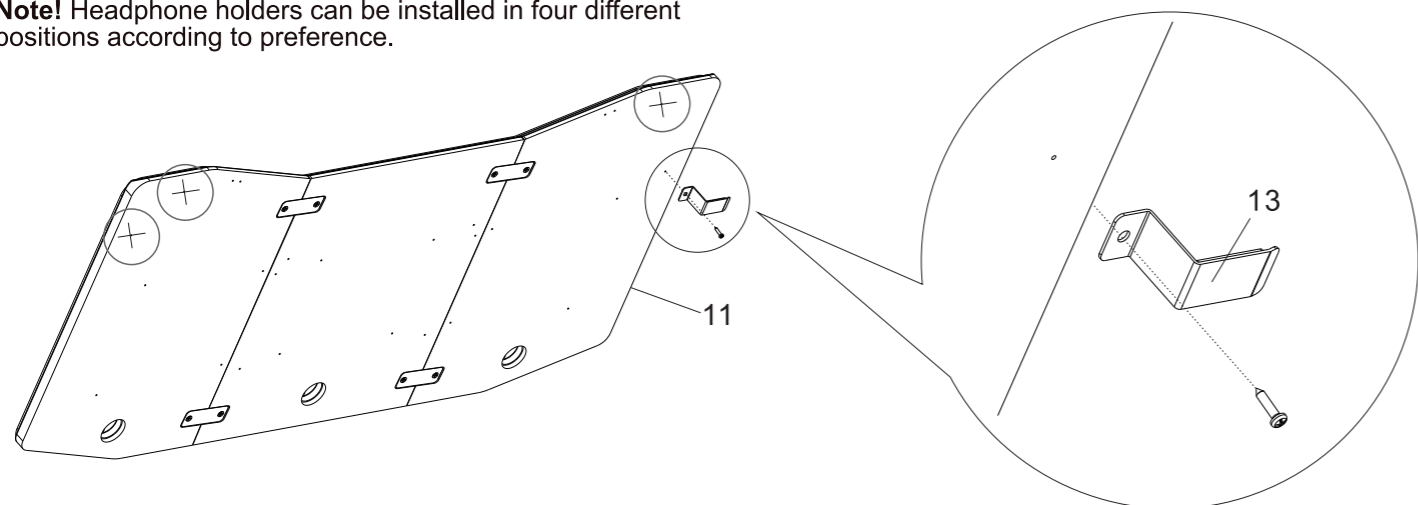
STEP 4

1. Install the table connector on the table board 6



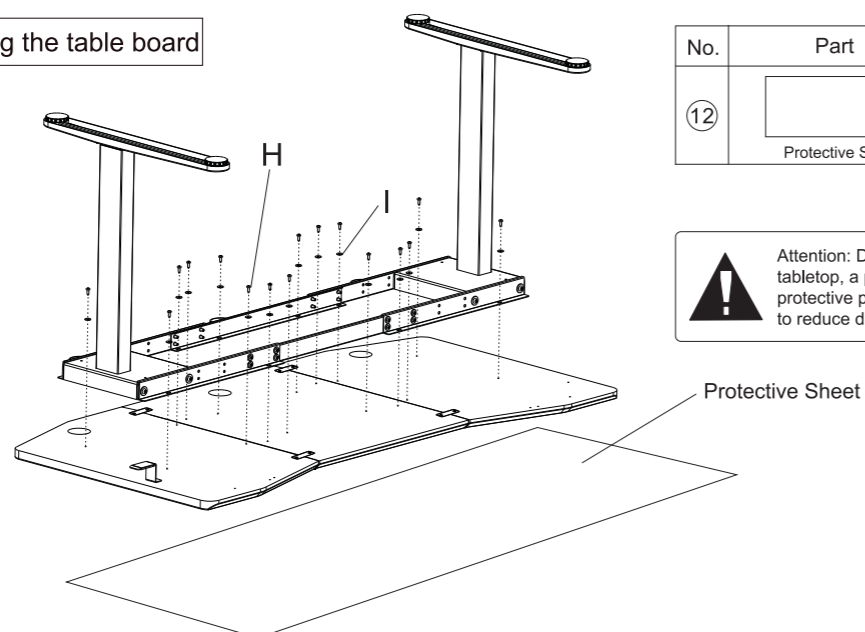
2. Connect the headphone holder to the table board

Note! Headphone holders can be installed in four different positions according to preference.



STEP 5

Installing the table board

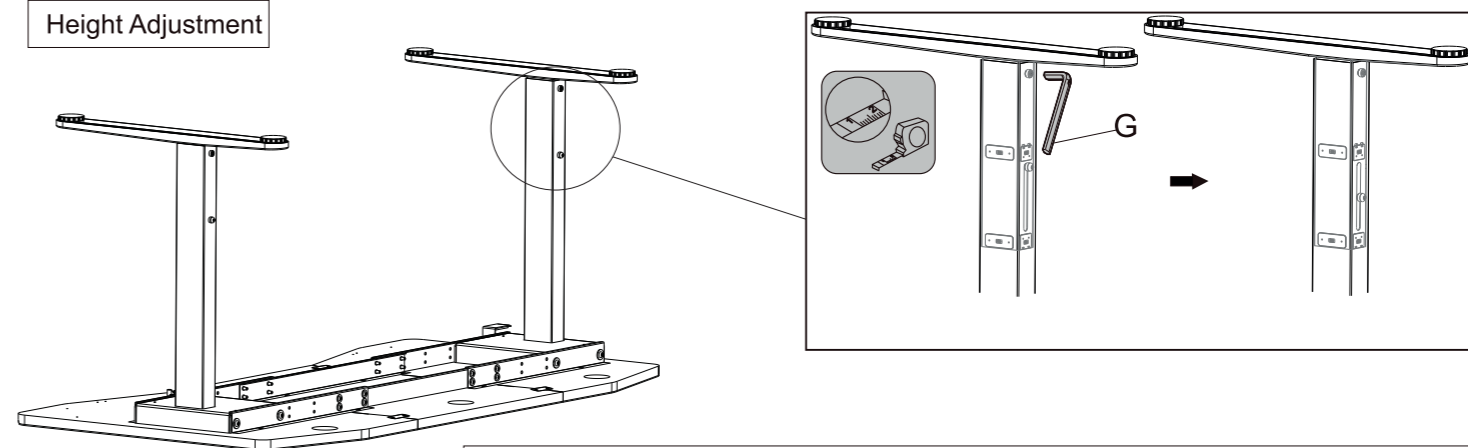


No.	Part	Qty	H x16	I x16
12	Protective Sheet	1		

Attention: During installation of the tabletop, a protective sheet (such as the protective packaging included) is advised, to reduce damage and scratches.

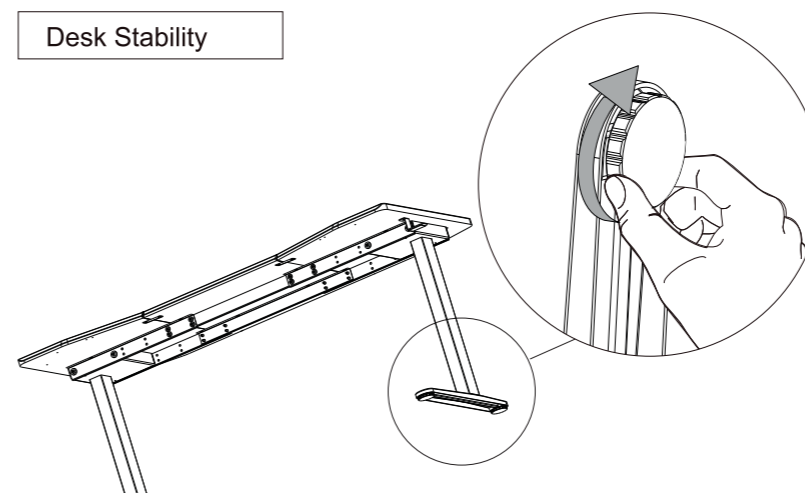
STEP 6

Height Adjustment



Before turning over the desk, please adjust the height of the desk to your needs. Loosen the screws with the Allen key (G) and then pull on the pedestal, raising it to the height needed. To ensure the table legs are of the same length, please use a measuring tape.

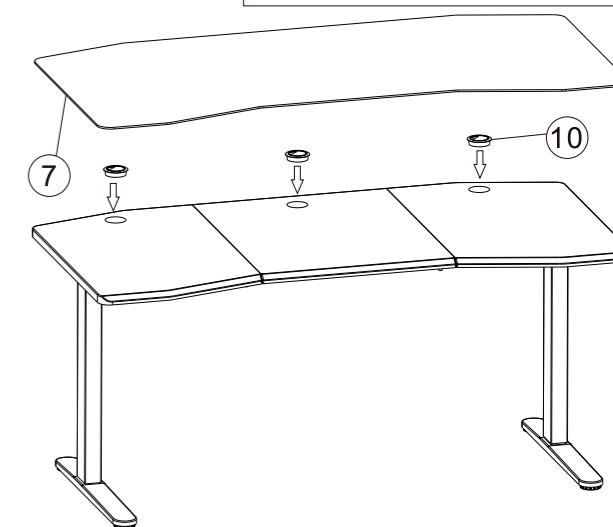
Desk Stability



Adjust the mat under the pedestal if the desk does not sit flat on the floor.

STEP 7

Install desktop piercing cover and table mat.



Caution

This product contains small items that can constitute a choking hazard if swallowed. Keep these items away from young children.

- Familiarise yourself with all functions and program settings of the product prior to use.
- This product is not a toy. Do not allow children to play with this product to avoid any risk of harm.
- This appliance can be used by children aged from 8 and up as well as people with reduced physical or sensory capacities with adequate instruction concerning the use of the appliance in a safe way. Do not allow children to play with the appliance.
- Cleaning and maintenance not to be performed by children.
- Please ensure the environment is safe prior to use e.g. do not leave tools unattended. Always dispose of unwanted plastic or packaging materials carefully in order to avoid any unnecessary risk e.g. choking hazards to children.
- Please store original packaging safely in the event of needing to transport the desk in the future.

NITRO
CONCEPTS

info@nitro-concepts.com
www.nitro-concepts.com