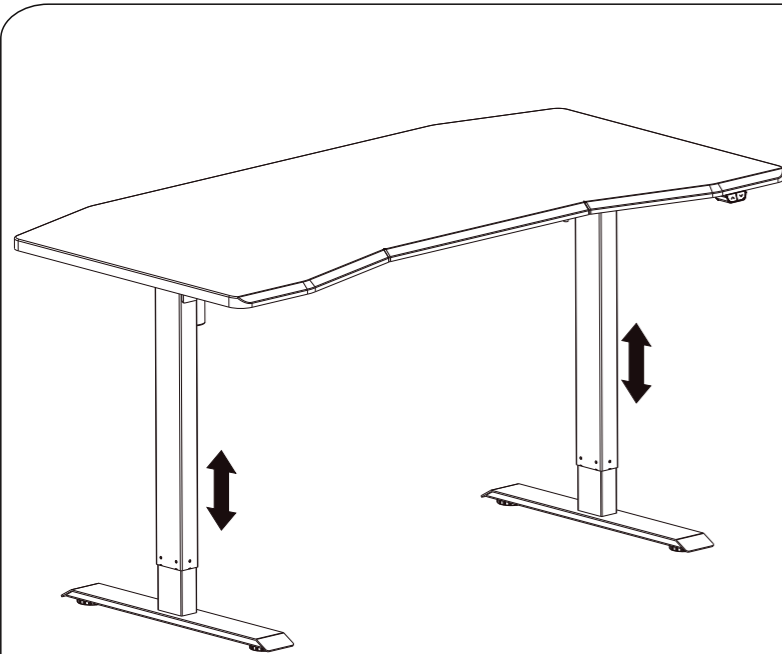


Installation Guide

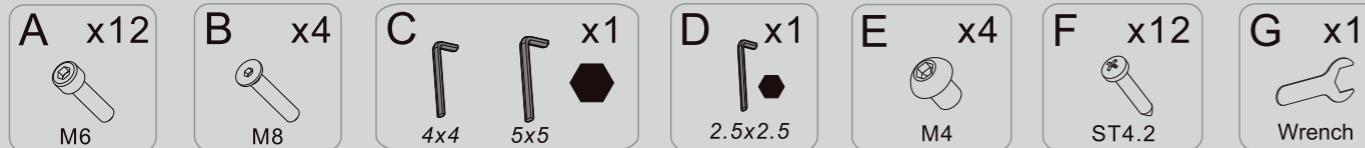


Technical data

Column Number	2
Maximum Load	70 KG / 154.3 LBS
Maximum Speed	25 mm/s / 1 in/s
Input Voltage	100-240V
Lowest Position	735 mm / 28.9 in
Highest Position	1235 mm / 48.6 in
Desktop Size	Length 1600 mm / 62.9 in Width 800 mm / 31.5 in
Operating Time	Continuous operation for max 2 minutes after 18-minute pause
Operating Temperature	0 - 40°C / 104 °F

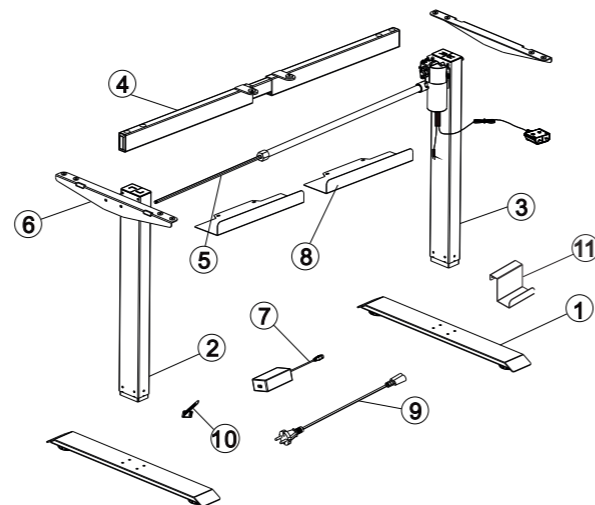
Accessory list

Attention: The drawings below are only to be used for reference, and they may vary somewhat from the actual object. Please take this into account. Should you encounter any installation problems or missing tools, please contact customer service.



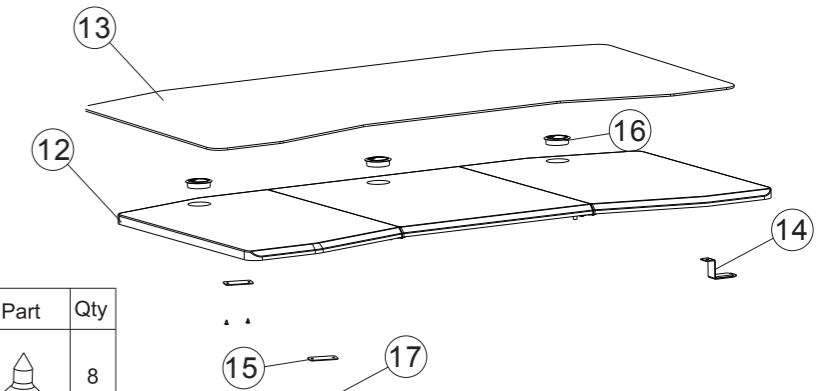
Part list

No.	Part	Qty	No.	Part	Qty	No.	Part	Qty
①	Pedestal	2	②	Column	1	③	Column	1
④	Supporting beam	1	⑤	Transmission rod	1	⑥	Supporting plate	2
⑦	Adaptor	1	⑧	Baffle	2	⑨	Power cable	1
⑩	Cable tie	4	⑪	Adaptor holder	1			



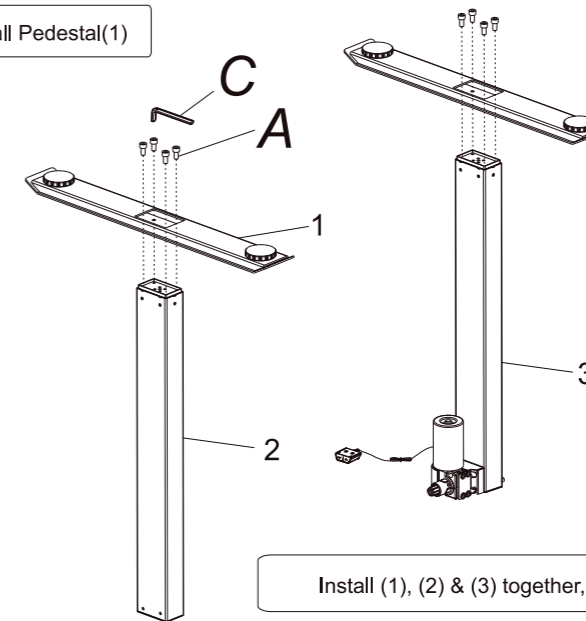
Required Parts

No.	Part	Qty	No.	Part	Qty	No.	Part	Qty	No.	Part	Qty
⑫	Table Board	1	⑬	Table mat	1						
⑭	Headphone holder	1	⑮	Table board connector	4	⑯	Desktop piercing cover	3	⑰		8
⑱	Protective Sheet										



STEP 1

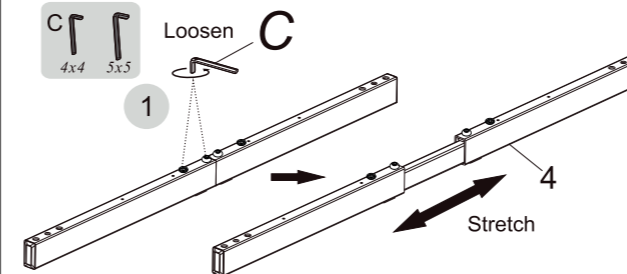
Install Pedestal(1)



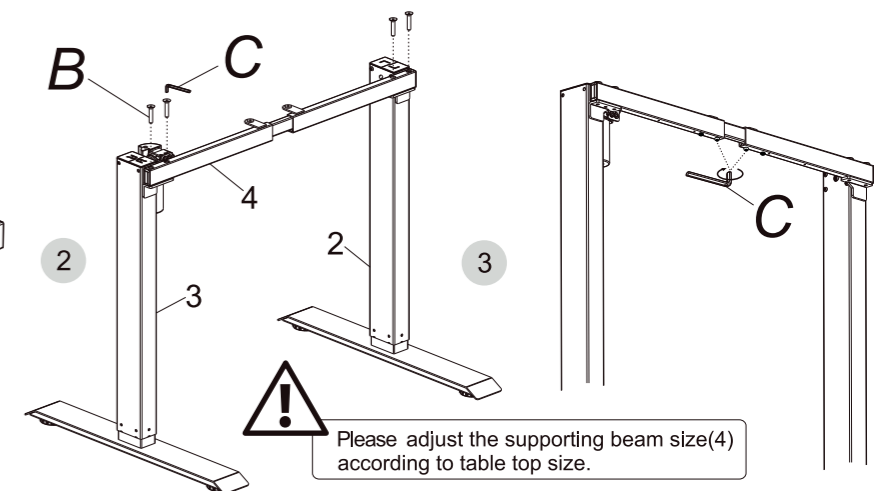
Install (1), (2) & (3) together, use 5*5 allen key to tighten the screws (A).

STEP 2

Install Supporting beam(4)



Loosen screws on (4) with 4x4(C), then extend supporting beam.

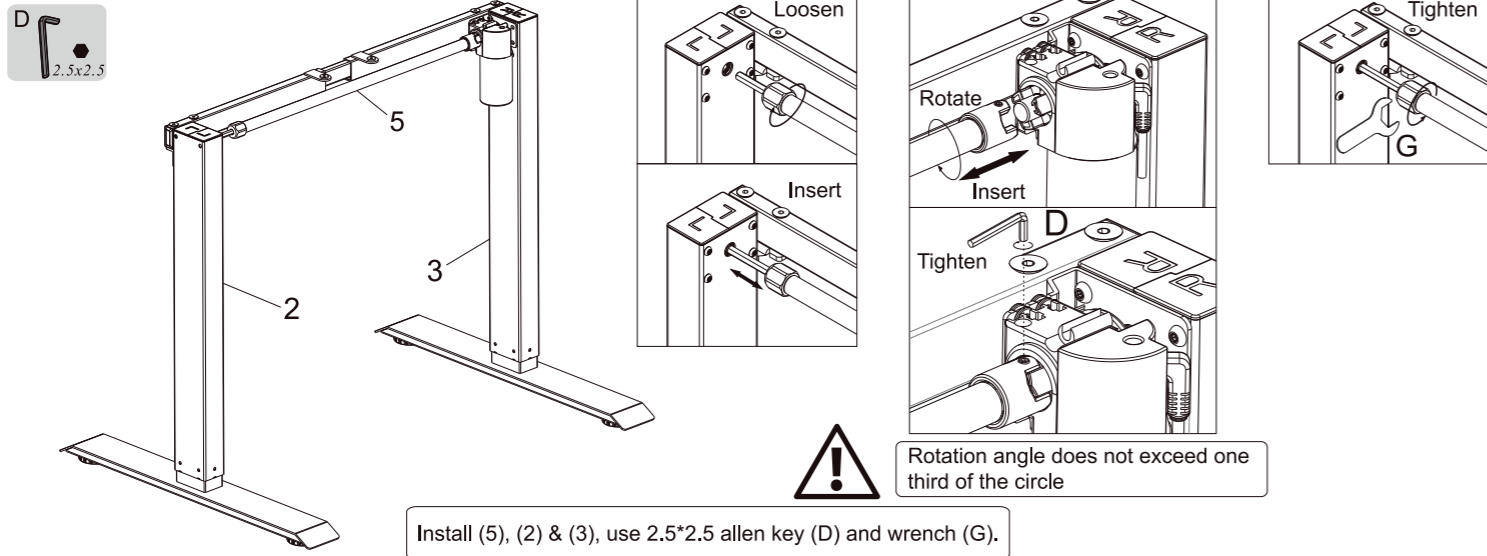


Install supporting beam on the column (2)(3), tighten screw (B) with allen key 5x5 (C).

Tighten screws on supporting beam with 4x4 allen key (C).

STEP 3

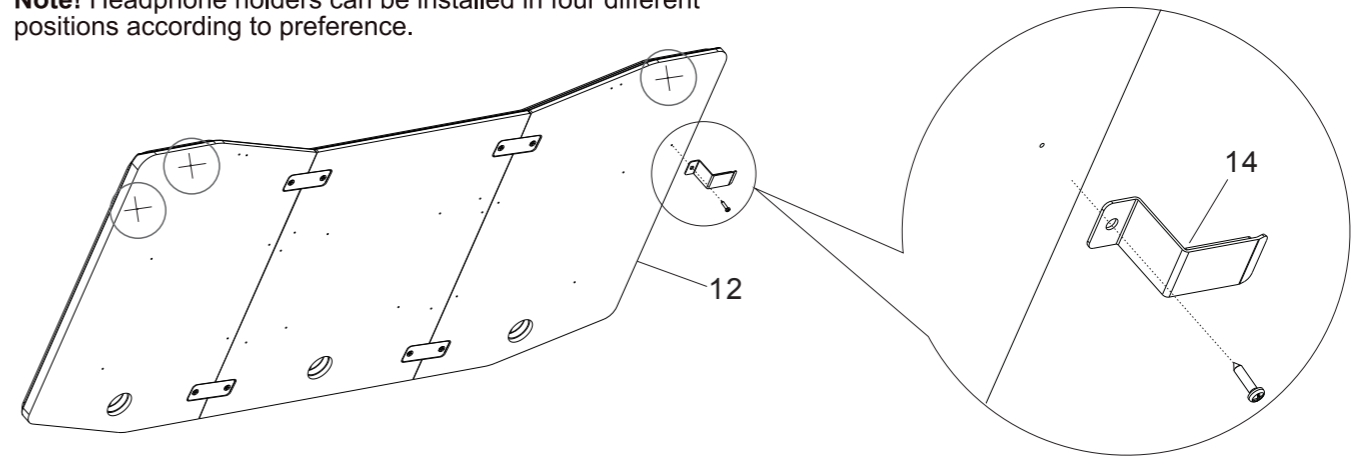
Install transmission rod(5)



STEP 5-B

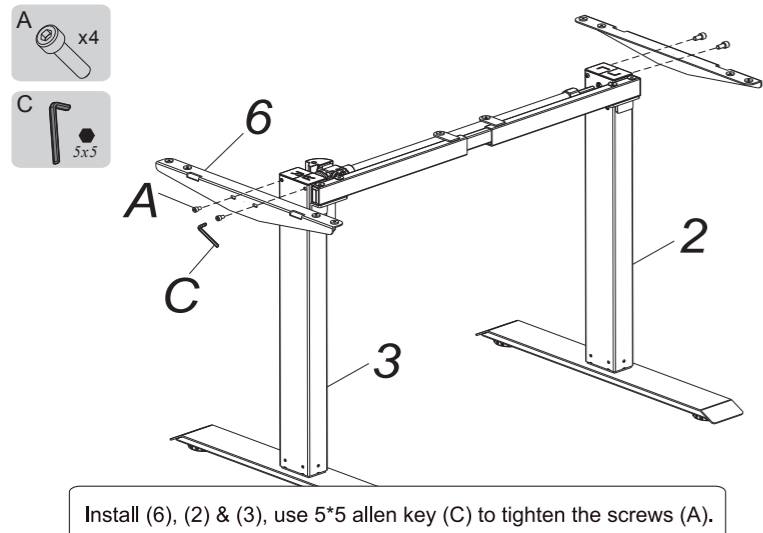
2. Connect the headphone holder to the table board

Note! Headphone holders can be installed in four different positions according to preference.

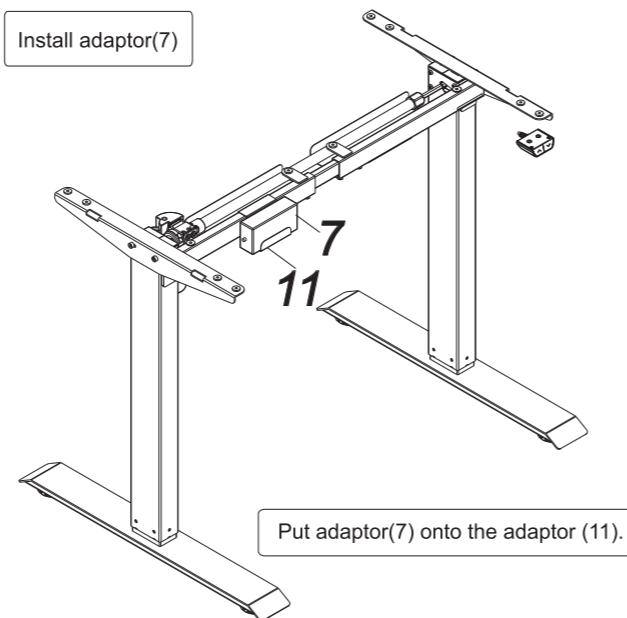


STEP 4

Install supporting plate(6)



Install adaptor(7)



STEP 6

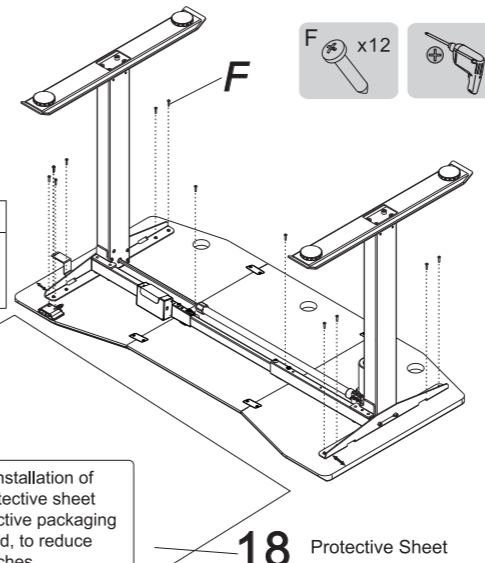
Install table top

Distance $\leq 200\text{mm}$

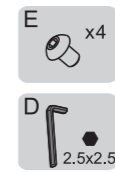
No.	Part
17	Protective Sheet

! Attention: During installation of the tabletop, a protective sheet (such as the protective packaging included) is advised, to reduce damage and scratches.

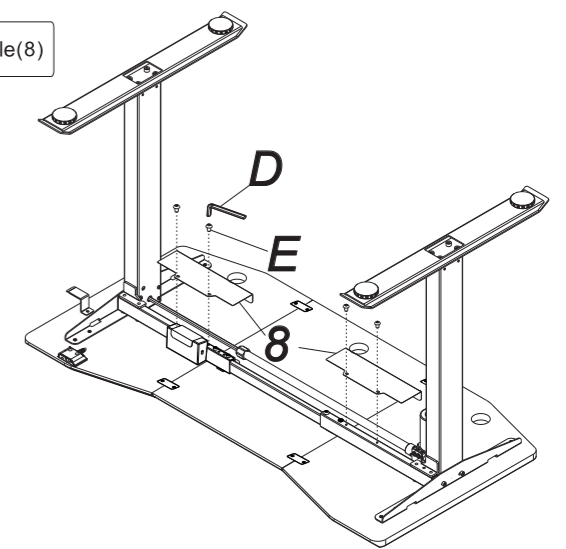
Install desktop with screw(F), use pistol drill to tighten.



Install baffle(8)

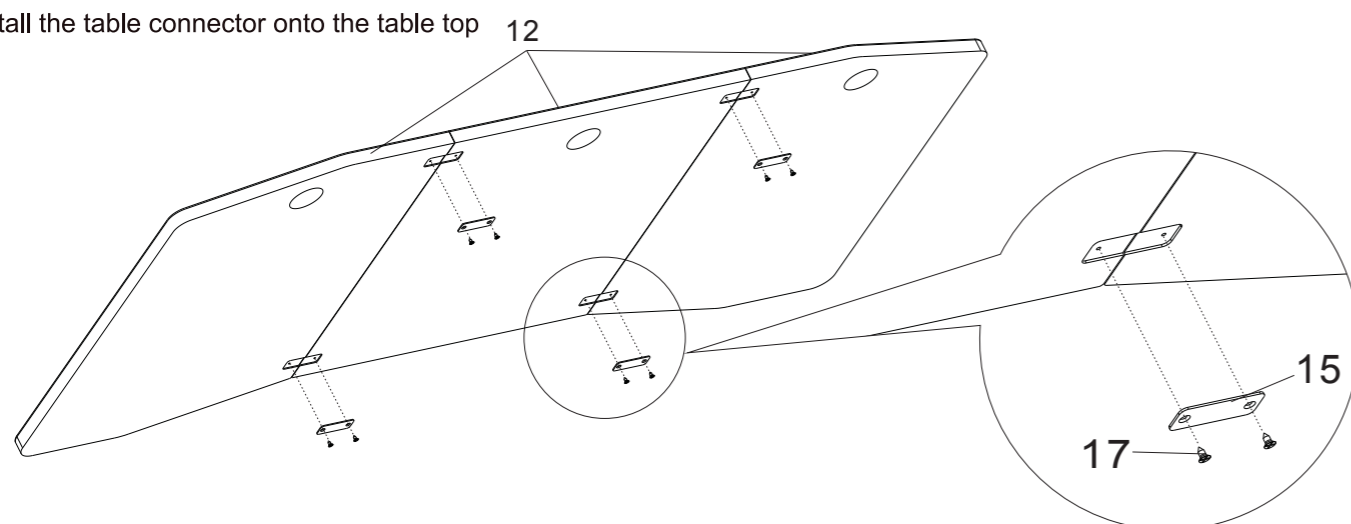


Install (8), 2.5*2.5 allen key (D) to tighten the screws (E).



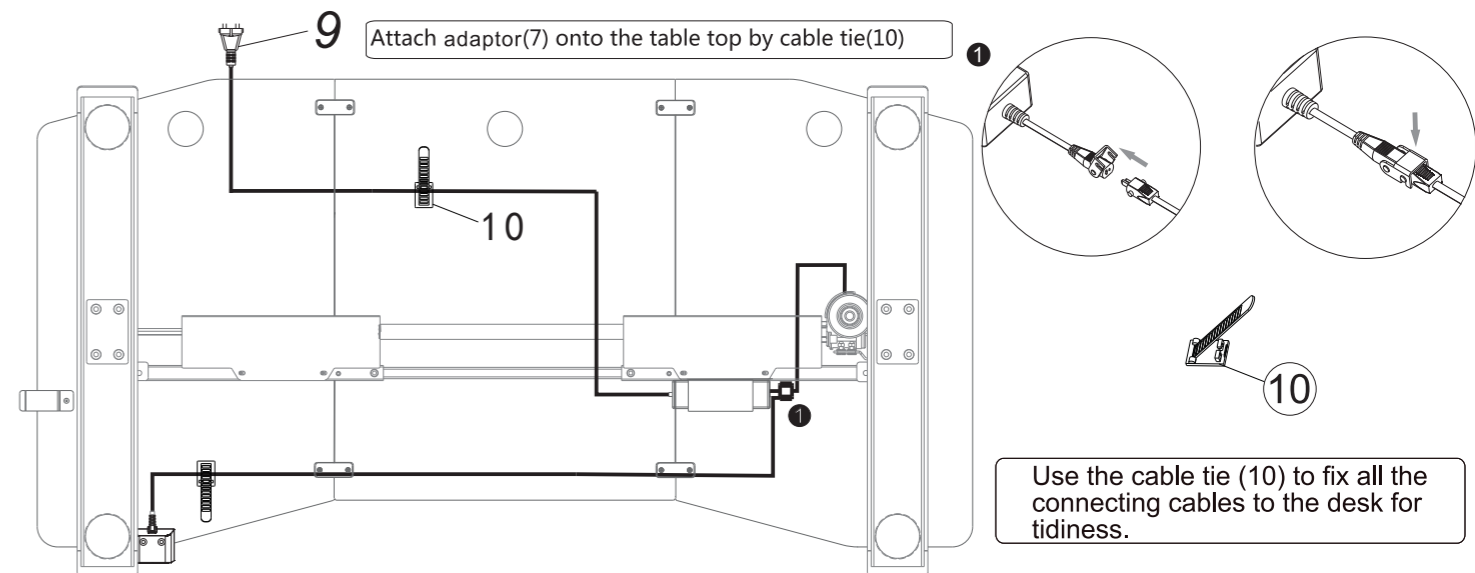
STEP 5-A

1. Install the table connector onto the table top



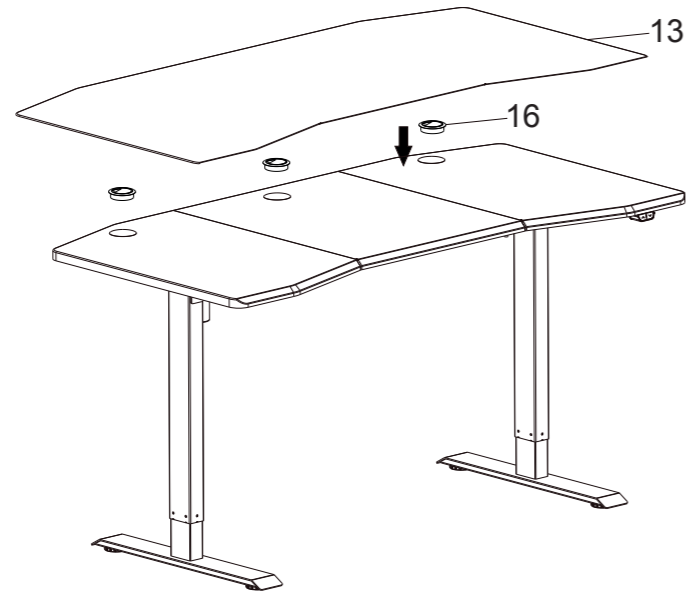
STEP 7

Connect all the cables to the adaptor



STEP 8

Install desktop piercing cover and table mat.



Waste disposal



This marking indicates that this product should not be disposed with other household wastes. To prevent possible harm to the environment or human health from uncontrolled waste disposal, recycle it responsibly to promote the sustainable reuse of material resources. To return your used device, please use the return and collection systems or contact the retailer where the product was purchased. They can take this product for environmental safe recycling.

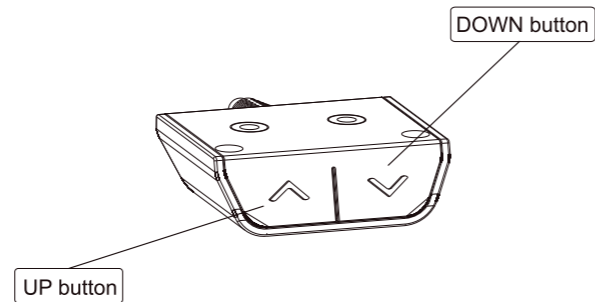
How to Adjust Desk Height

Button

●	“▲”	Adjust the desk upwards
●	“▼”	Adjust the desk downwards

Instructions

Press the UP button or DOWN button to raise or lower the height of the surface.



Troubleshooting

The following tips will help you resolve common issues. If the fault or problem you encounter is not listed below, please contact the supplier.

Attention

1. Power supply: AC100V-240V, 50/60Hz
2. Service environment: 0-40C
3. Unplug power before cleaning, remove dust with the help of a moist cloth. Do not allow moisture to contact internal parts, do not loosen the connector.
4. The component box contains electric components, metals, plastics, wires etc. As such, please ensure you dispose of it in accordance with your country's environmental legislation. Do not dispose of in household waste.
5. Check carefully to ensure desk is correctly and fully assembled prior to use.
6. Familiarise yourself with all functions and settings of the product prior to using.
7. This product is not a toy. Do not allow children to play with the desk.
8. Some noise is to be expected from the movement of the belt/braking system. This does not affect its functionality.
9. Corrosive or abrasive materials must not be used to clean the equipment. Please ensure environmentally friendly products are used.
10. Please ensure there are no hazards in the operating environment e.g. do not leave tools unattended or for others to trip over. Always ensure you dispose of the packaging materials carefully in order to avoid any danger to children e.g. choking hazards caused by plastic.
11. Keep the original packaging of the equipment if necessary, should it need to be transported on any future occasion.

Fault	Method
No response when pressing down arrow while power supply connected	1. Check if all cables are correctly connected 2. Contact retailer or supplier
The desk cannot be raised	1. Check if overloaded, max capacity: 70kg 2. Contact retailer or supplier
Overload (Duty cycle: Max 2 mins on/30 mins OFF)	1. Should you exceed max length of operation, wait 30 minutes before using again. 2. Contact retailer or supplier

NITRO
CONCEPTS

info@nitro-concepts.com
www.nitro-concepts.com