

PRODUCT DATA SHEET

ET223T/ET223T(IB) Height Adjustable Desk

ET223T (90°)



ET223T (120°)



ET223T (180°)



PRODUCT DATA SHEET

ET223T/ET223T(IB) Height Adjustable Desk

Specifications

- Height Range: 580-1230mm
 - Width Range: ET223T(90°) 1240-1760mm
ET223T(120°) 915-1455mm
ET223T(180°) 1685-2740mm
 - Recommended Tabletop Dimensions:
ET223T(90°) Main Width: 1300-1900mm
Vice Width: 1300-1900mm
Depth: 600-800mm
ET223T(120°) Main Width: 1100-1800mm
Depth: 600-800mm
ET223T(180°) Main Width: 1700-2900mm
Depth: 600-1000mm
 - Load Capacity: 150KG
 - Speed: 38mm/s
 - Noise Level: <50db
 - Standby Power Consumption: <0.5W
 - Holeless Design Column
 - Optional Control Panel (refer to accessories sheet)
 - Surface: Powder; Colors: White, Black, Gray
-

Additional Features

- Built-in sensor: anti-collision, anti-pinch function
(Adjust the corresponding function according to the different position)
- Dual DC33V output (optional USB charging, wireless charging function, etc..
Need accessory support, refer to accessory specification.)
- Double RJ45 interfaces (optional mobile phone remote via Bluetooth Dongle.
Need accessory support, refer to accessory specification.)

Related Product Component Certificatio

- ET223T: CB, CE-EMT, CE-LVD, CE-ErP, RoHS, UL, CUL, RCM

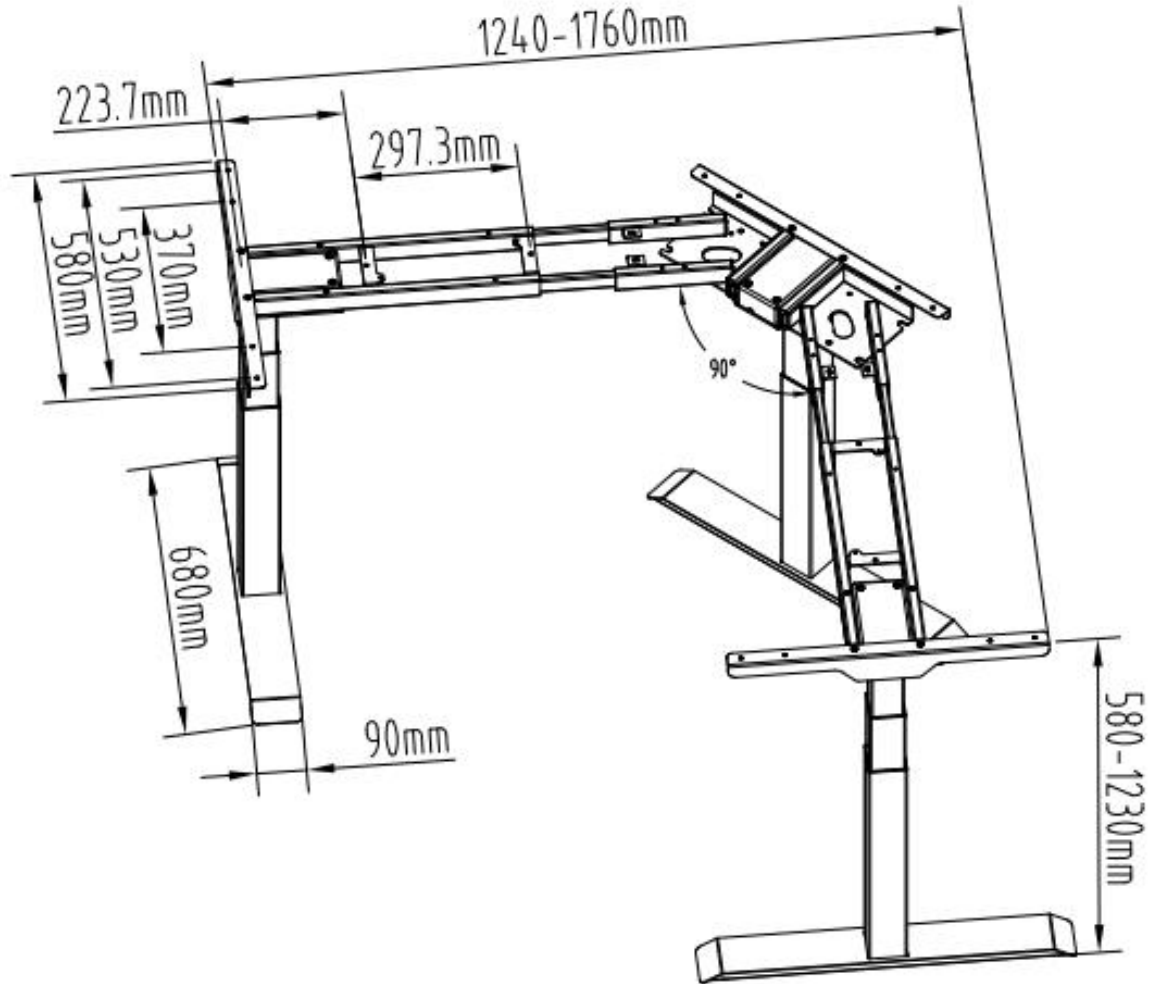
Default Control Panel



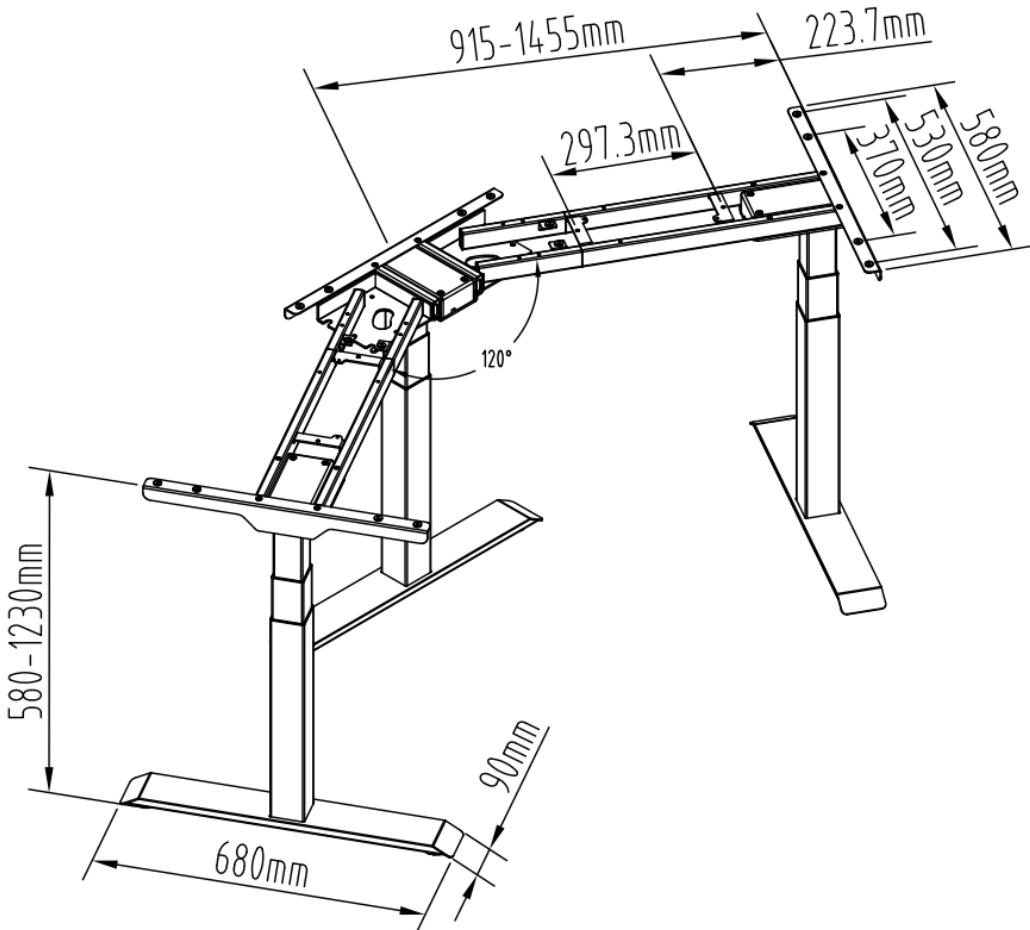
Seven Button Remote
Digital Height Display
Time Reminder
(HS11A-1)

Product 2D Drawings

ET223T (90°)



ET223T (120°)



ET223T (180°)

