

# ICON 35

Transport Wheelchair *light & compact*

User's manual (EN)



ICON 35Bx AP



ICON 35Lx AP



ICON 35Bx SP



ICON 35Lx SP

CE

## INDEX

- 1 General information**
- 2 Intended use, indications & Contra-indications**
- 3 Safety Warnings & Recommendations**
- 4 Product's General Description**
- 5 Label**
- 6 Usage**
- 7 Cleaning & Disinfection**
- 8 Maintenance & Service**
- 9 Transport & Storage**
- 10 Re-use**
- 11 Warranty**
- 12 Technical Data**
- 13 Wheelchair set-up and operation**
  - 13.1 ICON 35**
    - 13.1.1 ICON 35Bx**
    - 13.1.2 ICON 35Lx**
  - 13.2 General**
    - 13.2.1 Wheels**
    - 13.2.2 Brakes**
    - 13.2.3 Leg rests**
    - 13.2.4 Arm rests**
    - 13.2.5 Half foldable back mechanism**
- 14 Accessories**
  - 14.1 Ultimate comfort seat & back**
    - 14.1.1 Tension adjustment seat straps**
    - 14.1.2 Tension adjustment back straps**
    - 14.1.3 Overlay seat and back cushion**
  - 14.2 Anti-tippers**
    - 14.2.1 Anti-tipping device (swing away)**
    - 14.2.2 Anti-tipping device (slide up)**

## 1. General information

Dear customer,

Thank you for choosing an **ICON 35** wheelchair.

This User manual contains a description of the medical device and important guidelines to ensure a correct and safe usage of the product. Please read this manual carefully. It is especially important to read the safety requirements and to follow these.

**REHASENSE®** continuously develops its products and reserves the right to change specifications and functions of products without notice.

The **ICON 35** wheelchair is not allowed to be used as a vehicle seating option in moving vehicles (like private cars, buses, trains, metro etc.). For detailed information please refer to the chapter "Transport recommendations".

By queries please contact your dealer or **REHASENSE®** directly. The contact data is located on the last page of this manual.

## 2. Intended use, indications & Contra-indications

Intended use: The manual wheelchair is a medical device indicated for use by persons with limited motion abilities who are unable to stand, walk and/or seat independently. It is dedicated for transportation and moving of such people in sitting position. Users can move with the wheelchair independently (when fitted with larger rear wheels and push rims) or with a help of an Attendant. The chair can be used indoor and as well as outdoor on different surfaces (asphalt, concrete, stone and gravel) in good weather conditions. Any other use is prohibited.

Indications: The device is specifically indicated for individuals who (because of the wide variety of possible health problems) are unable to stand and/or walk and so they need a transportation device to maintain some or all daily tasks.

Contra-indications: This type of wheelchair must not be used by persons with flaccid paralysis or other diseases that cause serious body control problems. Such persons require special wheelchairs designed for an extra stable support of the User body. The need and possibility of usage of an **ICON 35** wheelchair should be always estimated as indicated by a physician or a physical therapist. The manual wheelchair is a medical device indicated for use by persons with limited motion abilities who are unable to stand, walk and/or seat independently. It dedicated for transportation and moving of such people in seating position.

## 3. Safety Warnings & Recommendations

### Safety and quality standards

The **ICON 35** wheelchair has passed all necessary tests and it is in conformity with following European Standards: PN-EN 12182:2005; PN-EN 12183:2010; PN-EN 1021-1:2007; PN-ISO 7176-1,3,5,7,8,15.

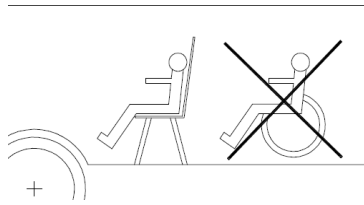
The conformity is visible by the CE marking on the medical device. Upon a correct usage of the wheelchair we foresee its failure-free work for years.

- The **ICON 35** must not be loaded with more than 115 kg.
- The device must not be loaded for use in approved transport vehicles.
- Make sure that this User manual is read by all persons using the device. The manufacturer doesn't take any responsibility for damages and/or injuries, caused by the fact that the User manual has not been followed.
- Use the product only in good technical condition.
- Use the device only for the purpose it is intended for.
- Avoid making constructive changes on the device unless you have the manufacturer's written acceptance for such modifications.
- During different adjustments which are possible on the device the User must take care not to squeeze fingers or other body parts between two moving elements of the device
- All wheels should ALWAYS be in contact with the floor during use. This will ensure the device is properly balanced and should avoid incidents.
- When using the wheelchair in a stationary position, the hand brakes MUST be locked
- If defects or errors are detected, you must immediately contact your dealer.
- Follow the instructions and warnings on all product labels.
- The device must only be used on a stable surface.
- Avoid skin burns during usage of the chair in direct sunlight. Various parts of the product might become hot.
- It is not recommended to use the wheelchair on sand, in mud or in extreme weather conditions.
- The attendant of a wheelchair User should be in good shape.
- Do not remove by yourself any parts or accessories of the wheelchair. It may influence product's stability and rigidity.
- Do not place the device near to the sources of heat or fire (fireplaces, ovens, heaters, stoves). It is not

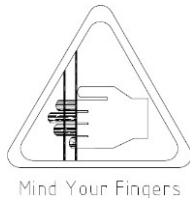
recommended to smoke cigarettes when seated on the wheelchair, it is not fire resistant.

- IF ANY SERIOUS INCIDENT OCCURES IN RELATION TO THE DEVICE PLEASE CONTACT YOUR DEALER OR REHASENSE DIRECTLY (contact details at the end of the user manual). The immediate actions should be taken according to the requirements of Regulation of the European Parliament and of the EU Council 2017/745 on medical devices of April 5, 2017.

## WARNING!



The wheelchair is not designed as a seating option for a User in moving vehicles (like e.g. buses, trains, metro, airplanes etc.). It is forbidden to seat on the wheelchair in moving vehicle. The wheelchair should be safely stowed and secured for the time of transportation. The wheelchair User should be safely transferred and seated in a prompt seating system included in the vehicle. It is a great risk of serious incident, injuries and property damage to not follow above rule.



The design of the wheelchair because of its functions includes many moving elements, slots, holes and gaps between device's parts. There is a risk of body part trapping during folding, unfolding and adjusting different elements of the wheelchair. It specially concerns fingers or hands. It is also possible to have a finger cut by moving parts of the device. Always be careful when you adjust or set up a chair to not get your body parts squeezed and injured.

## 4. Product's General Description

The **ICON 35** wheelchair comes with a variety of features: parking brakes, detachable & height adjustable legrests, detachable & height adjustable armrests (LX version only) and it is equipped with rear main wheels, front turning casters, single cross brace frame. The device is made from powder coated aluminum tubing. It is well preserved against corrosion. For some adjustments you will need some standard tools available in all hardware stores.

The wheelchair provides comfortable transportation and storage thanks to its solid cross frame structure, easiness of maneuvering, easy transfer in and out of the wheelchair.

The wheelchairs are supplied in cartons, detached into few elements for easier transportation.

For standard equipped wheelchairs every package includes:

- 1 Main cross frame with upholstery, 2 brakes, 2 armrests, 2 rear wheels & 2 front casters;
- 2 detachable legrests with footplates;
- 1 User Manual

A set of delivered additional equipment depends on order specification.

### Main components:



Above photo shows an example of wheelchair with all standard components and their position. The exact appearance of your wheelchair and its features may differ from those shown above (depending on order specification), but their names, functions and locations remain the same.

### Optional equipment

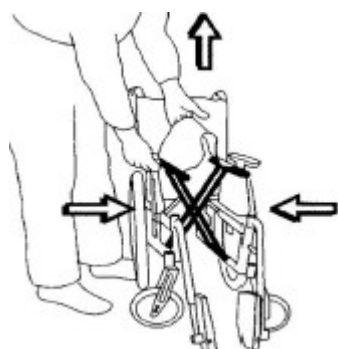
Depending on version and order specification the wheelchair can be equipped with different wheels' types, drum brakes, single or double cross, elevating legrests, amputee legrests, hemiplegic armrests, anti-tipping wheels, headrest, side supports, safety belt, seating cushion, backrest upholstery with tension adjustment, reclining backrest, height adjustable push handles, stability cross bar, table, umbrella, infusion holder, crutch holder.

### Wheelchair assembly:

We recommend the wheelchair to be assembled and set up by a professional before it is delivered to the end User.

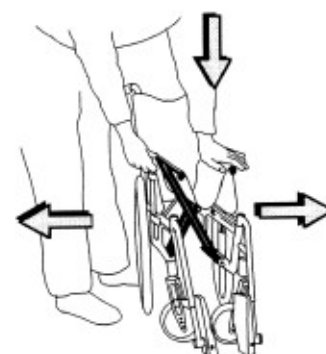
- Take all the chair's elements from the box and check if all components are included according to your order specification. If you discover that some part is missing or damaged, do not continue the assembly process but contact your dealer.
- Detachable components such as rear wheels, leg rests and all additional equipment should be attached and adjusted in accordance with the information included in this User manual.

### How to unfold and to fold the wheelchair



To fold: Take the cushion out. Flip up the foot plates. Lift the upholstery of the seat (left picture).

To unfold: Place both hands on the seat upholstery tubes and press them down (right picture). You should be careful and not put your hand between the tubes and the wheelchair frame when unfolding.



## 5. Label

This is an example of the product label it is located on the cross bar.

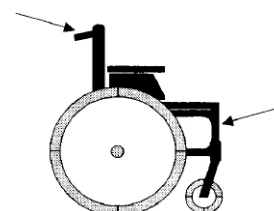
Serial number in standard GS1 (UDI-DI)	SN	ICON 35	Product name
Barcode EAN - GS1 128	(01)05907467805641(11)191203(21)0001	2019-12-03	Production date
Medical Device	REHASENSE Sp. z o.o. Sulejowska 45 G 97-300 Piotrków Tryb. Poland	RWB35S2WH0	Item number
Barcode EAN 13 in standard GS1	5 907467 805641	40 cm	Seat width
		115 kg	Max user weight
		Max 10°	Max gradient
		40 cm	Seat depth
		CE MD	Familiarize yourself with UM
			Can be used outdoor
			Manufacturer

## 6. Usage

### How to lift the chair

Lift the wheelchair using the push handles and the front upper corners of the wheelchair frame, where the leg rests are attached.

**WARNING! It is not allowed to lift the wheelchair by holding it by the legrests or the armrests! We recommend detaching the legrests before lifting the chair.**



### Techniques to get in and out of the wheelchair

Teaching techniques of transferring the User must be done under the strict supervision of qualified staff. We only present our recommendations below

#### Transferring the User from the wheelchair to the bed

The User should face the bed without regard on the fact if the other person helps or not. Drive the wheelchair as close to the bed as possible and ensure, that front wheels are facing towards. Pull the brake, lift the armrests / side panels on his side of the wheelchair, on which the transfer to the bed will take place.



#### Transferring the User from the bed to the wheelchair

The User should face the bed without regard on the fact if the other person helps or not. Drive the wheelchair as close to the bed as possible and ensure, that front wheels are facing towards. Pull the brake, lift the legrests. Do not climb the legrests, it can cause falling over the wheelchair. The Attendants should use mainly the strength of muscles of legs to draw the wheelchair on stairs avoiding the excessive bending down and impairing the muscles of backs.



### Driving the wheelchair

The correct weight distribution is a basic element of proper wheelchair usage. The correct wheelchair operation depends not only on weight but also on body proportions, the position of the person seating in the wheelchair and the position of the rear wheels. The larger the weight proportion of the User resting on the rear wheels the easier it is to propel. The larger the weight proportion of the User resting on the front wheels the harder it is to propel the wheelchair.

**WARNING! Always ensure, that the brake is applied, when the Attendant is leaving the wheelchair with the User sitting in it.**

**WARNING! Always ensure, that the front casters always point forwards, if the wheelchair stands still, to enlarge their contact with the base.**

### How to ride on a threshold



#### User facing the threshold

**(We advise, to use the below mentioned technique only by experienced wheelchair Users)**

Drive the wheelchair as close to the threshold as possible

Incline the wheelchair backwards balancing on the rear wheels and lift the front turning wheels to the height of the threshold. Push the rear wheels forwards and in the same time lean over transferring the weight to the front of the wheelchair.



#### Attendant and User facing the threshold

The Attendant inclines the wheelchair backwards by using the step pedal, allowing the front casters to come off the base. Drive forward until the rear wheels touch the edge. Use the handles at the back of the wheelchair to lift the rear wheels on the threshold.



#### Users with their back to the threshold

(The below mentioned technique will only work in case of a low threshold and if the legrests don't touch the ground.

Drive to the threshold backwards until the rear wheels touch it. Push the rear wheels backwards leaning forwards at the same time.



#### Attendant and User with their back to the threshold

Drive to the threshold so that the rear wheels touch the edge. Tilt the wheelchair backwards with use of the step pedal allowing the front casters to come off the base as much as it is necessary. Pull the wheelchair backwards on the threshold until the front casters are above the threshold. Then carefully lower the front casters onto the base.

### How to ride down from a threshold

#### User facing the thresholds edge

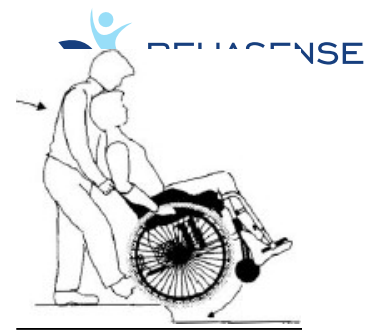
(We advise, to use the below mentioned technique only by the experienced wheelchair Users)

Drive the wheelchair as close as possible to the edge.

Balance the wheelchair on the rear wheels allowing the front turning wheels to come off the base as much as it is necessary.

Drive from of the edge very slowly and carefully lowering the front turning wheels on the base.





Attendant and User facing the thresholds edge

Incline the wheelchair backwards with use of the step pedal allowing the front casters to come off the base as much as it is necessary.

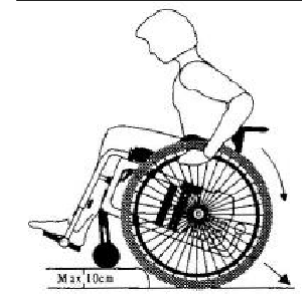
Drive the wheelchair slowly from of the edge and carefully lower the front casters onto the base.

Users with their back to the threshold

**(We do not recommend using this technique for driving of a threshold higher than 10cm.)**

Drive the wheelchair as close as possible to the edge of the threshold. Drive off the threshold very slowly leaning forwards at the same time

**WARNING! This operation can be dangerous; it can cause the wheelchair to tip over.**



Attendant and User with their back to the thresholds' edge.

Drive the wheelchair backwards as close as possible to the edge of the threshold. Drive down from the threshold very slowly and pull back the wheelchair on the rear wheels until the front casters are free from the edge. Then lower them onto the base.



**Overcoming slopes**

Please follow below instructions when driving on a slope:

- **Avoid direction changes**
- **Try to ride a straight line. Do not turn sideways.**
- **Do not hesitate to ask for help to avoid unnecessary risks.**
- **When driving up the slope lean forwards to transfer the center of gravity to the front making the wheelchair more stable.**
- **When riding down the slope lean backwards to transfer the center of gravity to the back making the wheelchair more stable**
- **Control the speed by using the rear wheels' hand-rims, not by using the brakes.**

**Climbing up and down the stairs**

**WARNING! Always ask other persons for help. The wheelchair must be carried by at least 2 people who are fit and healthy to perform this task**

**WARNING! Never ride with the wheelchair on an escalator neither on your own nor with the help of another person.**



Up the stairs:

Push the wheelchair to the stair touching the first step with the rear wheels. Use the handles to incline the wheelchair backwards. The second Attendant should grasp the lower front corners of the frame

**WARNING! Never lift the wheelchair by grabbing the legrests.**

Carry the wheelchair slowly up the stairs, step by step. After overcoming the last step pull the wheelchair backwards until the front casters can be lowered onto the floor. The Attendants should use mainly the strength of their leg muscles to carry the wheelchair avoiding excessive bending down and impairing of back muscles.

Down the stairs:

Carrying the wheelchair down the stairs should be done in the same way as carrying it up as described above.



## 7. Cleaning & Disinfection

### Frame

The frame ought to be cleaned with use of a damp cloth or alternatively with the addition of a soft detergent. After that it should be wiped with a dry rag. The frame should be regularly inspected, to find damages of the paint, which may cause corrosion. In case of any visible frame damages (cracks, painting defects etc.) ask your local dealer for diagnostics and maintenance.

### Upholstery

The seat and the backrest are made of a very durable strengthened nylon. The seat upholstery can be easily removed by removing the screws from the frame tubes. The backrest upholstery can be removed by removing the screws from the backrest tubes. The seat and the backrest upholstery can be washed with use of a sponge and gentle washing soap.

Normal dirt on the metal and the plastic parts can be removed with standard cleaning agents and sponge or soft rag. Check out specific product information and only use commercial cleaning products which are suitable for cleaning and disinfection (no solvents or abrasives).

### Disinfection

For disinfection please contact your dealer to be sure is made by professional personnel. However, for individual use we recommend using the generally available disinfectants without chlorine and phenol. The manufacturer is not responsible for the damage caused by wrong usage of disinfectants.

## 8. Maintenance & Service

Despite the solid construction and usage of resistant materials the product is subject to wear. It is therefore recommended to have a professional checking the product at regular intervals.

For basic service actions a set of socket wrenches, adjustable spanner, flat head- and cross screwdriver will be enough.

### Parts, which should be regularly inspected:

<u>Part name</u>	<u>Control type</u>	<u>Control frequency</u>
Tyres	Tyre pressure (2,0-2,2 bar), condition of tread and tyres. One should take care, to keep the pressure in both tyres on the same level. Harder tyres provide better maneuverability and easiness of driving but reduce comfort on bumpy surfaces.	At least once a week
Front castor assembly	Tightness of bolts. A front fork angle adjustment with play can cause breaking of the bolts and tipping over of the chair.	At least once a week
Spokes	Loose spokes can cause deformation of the rear wheels. Contact your dealer or local bicycle service to manage the problem of loose spokes.	If the problem occurs
Wheel axles	Remove the hair or accumulated dirt	If necessary
Push Rims	Excessively scratched push rims ought to be exchanged because they can wound the User's hands while riding the wheelchair	If necessary
Brakes	The braking force depends on the tyre pressure. The efficiency of brake operation can be also affected with dirt accumulated on tyres. Keep the brakes clean wiping them with a damp cloth to remove dirt, and lubricating the funnel of screws, on which the brake levers turn. Check the brake horizontal position.	Control the correctness of brake operation at least once a week
Frame	Keep the wheelchair clean for better comfort of the User.	At least once a month, depending on usage conditions
Turning wheels	The area between the fork and the front wheel should be kept clean, because dirt accumulating there can cause faster wear of caster bearings. To do so, one should disassemble the front caster by disassembling it from the fork, to remove all dirt, and then preserve the metal elements of the wheel (i.e. to apply technical grease).	The maintenance ought to be made once a month or more often depending on usual surface type & conditions

Detachable elements	Check the condition of detachable elements of the wheelchair; if screws are loose, they should be tightened.	In case of intensive exploitation of the wheelchair the inspection should be carried out once a month.
---------------------	--	--

### Most common problems and solutions

If you notice any irregularities in the wheelchair's functioning, do not use it – you should contact your local point of sale or the service department of the wheelchair supplier. The manufacturer does not warranty correctness of the wheelchair operation, if non-original parts are used.

<u>Symptoms</u>	<u>Possible cause</u>	<u>What to do?</u>
The wheelchair seems to tilt on one side	<ul style="list-style-type: none"> <li>• One of the rear tyres might be inflated more than the other one.</li> </ul>	<ul style="list-style-type: none"> <li>• Inflate tyres (2,0-2,2 bar).</li> <li>• Check displacement of the wheelchair mass</li> </ul>
The wheelchair is hard to push	<ul style="list-style-type: none"> <li>• Low air pressure in tyres.</li> <li>• Front wheels axles are dirty.</li> <li>• Too large load applied on the front turning wheels.</li> </ul>	<ul style="list-style-type: none"> <li>• Inflate tyres (2,0-2,2 bar).</li> <li>• Remove dirt or entangled hair from the front turning wheels axles.</li> <li>• Move the center of gravity.</li> </ul>
The wheelchair is hard to turn	<ul style="list-style-type: none"> <li>• Low air pressure in tyres.</li> <li>• The front wheels horizontal axles are tied to strong</li> <li>• Front wheels axles are dirty.</li> </ul>	<ul style="list-style-type: none"> <li>• Inflate tyres (2,0-2,2 bar).</li> <li>• Check front wheel axles and loosen them if necessary.</li> <li>• Remove dirt or entangled hair from the front turning wheels</li> </ul>
Brakes are not working correctly	<ul style="list-style-type: none"> <li>• Low air pressure in tyres.</li> </ul>	<ul style="list-style-type: none"> <li>• Inflate tyres (2,0-2,2 bar).</li> </ul>
It is hard to fold and unfold the wheelchair	<ul style="list-style-type: none"> <li>• The upholstery fitted to tight.</li> <li>• The frame cross hinge is dirty.</li> </ul>	<ul style="list-style-type: none"> <li>• Loosen screws which hold upholstery and retighten them.</li> <li>• Clean up and lubricate the crossbar hinge.</li> </ul>
The wheelchair is not stable	<ul style="list-style-type: none"> <li>• Low air pressure in tyres.</li> <li>• The elements of wheelchair aren't rigid and tight.</li> </ul>	<ul style="list-style-type: none"> <li>• Inflate tyres (2,0-2,2 bar).</li> <li>• Ensure that all screws and nuts are tightened.</li> </ul>
Flat tyres	<ul style="list-style-type: none"> <li>• Possible puncture of tube &amp; tyre</li> <li>• Tyre and tube are worn down.</li> </ul>	<ul style="list-style-type: none"> <li>• Contact your nearest wheelchair dealer or bicycle service to repair or replace broken tubes and tyres</li> </ul>

In case of any product failure we recommend you contact an authorized service agent or the dealer the wheelchair was purchased from. The manufacturer does not warranty proper functioning of the device if it has been repaired by unauthorized service and/or not using original spare parts.

**WARNING! Unauthorized repairs will cause loss of warranty.**

### Authorized services

For authorized repair you should contact the dealer where product was purchased or contact the manufacturer directly.

### Procedure of sending the wheelchair or parts to be serviced

To repair the wheelchair, one should contact the local dealer or the manufacturers' service. The wheelchair or parts ought to be sent in a package protecting it against incidental transportation damages. The best solution is to use the original packaging. The dispatch ought to be organized through the transporting company indicated by the manufacturer.

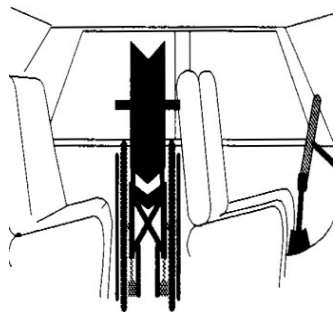
**WARNING! The manufacturer does not take responsibility for transport damages of the device or components caused by improper packing.**

### Disposal & recycling of the product

The device must be disposed of in accordance with applicable local and national statutory regulations. Contact your local waste disposal agency or authorized reseller for proper disposal of packaging, metal frame components, plastic and material components.

## 9. Transport & Storage

### Transport recommendations



The **ICON 35** wheelchair is easy to transport. It can be folded and disassembled to reduce size and weight. It is possible to detach the rear wheels and the legrests and to fold the chair's cross frame very easily as was described previously.

**WARNING! The wheelchair is not a car seat. When travelling in vehicles sitting in the wheelchair is prohibited. The chair should be folded and safely immobilized.**

### Storage

Store device in dry place, where temperature is not freezing. The chair can be folded to reduce space needed for storage. You can also detach legrests to save even more space. Freezing temperatures or humidity may cause damages on tyres, fabric, axles, bearings and other elements of the product. To protect tyres against deformation during long period of storage you can place wood bricks or other supports under the frame. It is also recommended to cover the chair to protect it from dust and dirt.

## 10. Re-use

This medical device can be reused by another user if the original user of the product doesn't need it anymore. Before reuse, the device must be carefully inspected and disinfected by authorized technical staff at the dealer.

Following elements should be checked:

- rigidity of the structure,
- tightness of bolts and nuts,
- condition of fabric elements,
- condition of wheels and ball bearings,
- efficiency and condition of brakes.

If any of above elements are torn or broken, they should be replaced with new parts. It is specially recommended to install new wheels for every new user of the device. All loose bolts and nuts must be tight. The product must be precisely cleaned and disinfected.

**WARNING!** It is forbidden to re-use the wheelchair when the frame is bent or broken.

Every new user must receive the device with this user's manual attached.

## 11. Warranty

### Warranty information

- The manufacturer covers the product with 24 months warranty from the purchase date.
- During that period all material or parts defects, caused by manufacturing faults or usage of improper materials will be repaired or replaced free of charge.
- Damages to tyres, upholstery and spokes caused by wear in time during use are not covered by warranty. Other parts of the wheelchair, which undergo normal wear during use are not covered by the warranty either.
- All mechanical defects and damages caused by improper use or usage not intended by manufacturer are not covered by warranty.
- Not authorized changes and modifications of the wheelchair will cause loss of warranty.
- If any defects or damages occur, one should immediately inform the supplier.

### Range of responsibility

- The warranty does not cover transport cost.
- The warranty does not cover injury or other damages eventually related to a malfunction of this product.
- The warranty does not cover damage caused by the inability to use the product.
- The manufacturer does not bear the responsibility for damages caused as the result of inappropriate or incorrect understanding of this User Manual.

### Wheelchair modifications & additionally installed elements

- This definition refers to any wheelchair, which was modified, and which differs from details given in this manual or if additional elements, not supplied by the manufacturer, are fixed to the product. If the device was modified in the above way by the User without the manufacturer's written authorization, it is no more compliant with the CE essential requirements and will not be covered by the warranty.
- If you have any questions or doubts concerning modifications, please contact the manufacturer before you take any action.

## 12. Technical Data

Technical Data will vary according to the frame dimensions chosen and the way the wheelchair is set up (front and rear wheels). The data in the table refers to a Seat Width of 40 cm and a Seat Depth of 40cm. All measurements are in centimeters (cm) for distance and kilograms (kg) for weight, unless otherwise stated.

	ICON 35Bx AP		ICON 35Lx AP		ICON 35Bx SP		ICON 35Lx SP	
Cross Bar	1 x 1							
Seat widths	40 (45, 50)							
Seat depths	40							
Max User Weight	115							
Chair length	103				116			
Chair height	91							
Chair width	56 (61, 66)				66 (71, 76)			
Length (no legrests)	65				78			
Folded height	74							
Folded width	27				37			
Total weight	9.0		9.8		12.4		13.2	
Transport weight	8.1		8.9		7.6		8.4	
Front seat height	44-49							
Backrest height	42							
Legrest length range	32-45							
Legrest angle (°)	73°							
Armrest height range	22		18-25		22		18-25	
Rear wheel "	14"				24" (20", 22")			
Front wheel "	7"							

\* Standard size = 40cm seat width

## 13. Wheelchair set-up and operation.

### 13.1. ICON 35 Introduction.

The ICON 35 frames cover a range of sizes (width) as well as possibilities to adjust the seat angle, seat height and degree of stability, according to the User's needs. The frame is designed to lock under tension once weight is applied. ICON 35Bx and ICON 35Lx are all fixed depth frames, ICON 35Bx has a fixed height arm rest while ICON 35Lx has the height adjustment arm rest.

**WARNING! Changing the front and rear axle positions or wheel diameters can only be done by qualified service or advised by a physical therapist qualified in wheelchair fitting. For detailed instructions contact Rehasense or the Dealer for service questions.**

**WARNING! Incorrect settings can result in an excessively unstable wheelchair which may be dangerous for the user. Always contact your dealer if changes are thought to be needed.**

#### 13.1.1. ICON 35Bx

The ICON 35Bx is the basic model of the ICON 35 family. The arm rest height is fixed. It has fixed position for the Attendant Care smaller rear wheels i.e. 14" and many positions for the rear wheel axle large wheels i.e. 20"/22"/24". The front caster angle is adjustable which allows for a large combination of seat heights and seat angles to accommodate all kinds of wheelchair Users.

Arm rest setting – ICON 35Bx

Arm rest assembly



- The arm rest has fixed height position.

**Frame settings – ICON 35Bx**

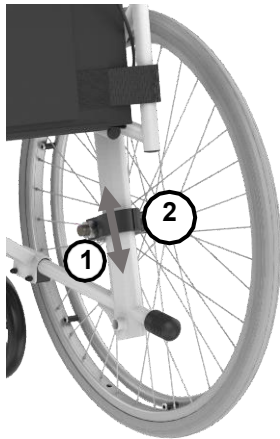
The frame seat heights and angles can be changed by changing the wheel sizes (diameters)

14" rear wheel assembly



- The 14" rear wheel has fixed axle height position.

### 20" / 22" / 24" rear wheel assembly



- The large rear wheels have an adjustable axle height position.
- To modify the axle height position, you can loosen the nut (1), slide the rear wheel bracket (2) up or down to the required positions and then retighten the nut (1) in the new position.
- Repeat for the other side.

**WARNING! Ensure that both positions are adjusted to the same height.**

### Adjustments of front caster assembly



When the position or the size of the rear or front wheels is modified, it may be necessary to adjust the angle of the caster to avoid "wheel flutter" and provide a smooth, straight ride.

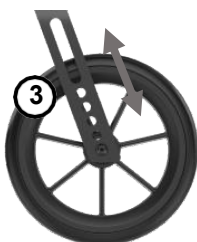
The head of the bearing house assembly (1) should always be positioned at a 90° angle to the floor. After changing the wheel set-up, adjustment of that angle is necessary.

To adjust the angle of the bearing house:

- Loosen the 2 bolts (2). Adjust the bearing house assembly until the vertical axle of the bearing house (1) is at a 90° angle with the floor
- Add Loctite glue and re-tighten the bolt.



To modify the seat height, you can assemble the front wheels in various positions (3). (In this picture a front fork with 5 different positions is used.) The various holes also allow assembly of front wheels with different diameters.



**WARNING! All above adjustments can only be done by qualified service or advised by a physical therapist qualified in wheelchair fitting. For detailed instructions contact Rehasense or the Dealer for service questions.**

The ICON 35Lx is the luxury model of the ICON 35 family. The arm rest height is adjustable and extra long, for better reach when sitting down.

It also has a fixed position for the Attendant Care smaller rear wheels i.e. 14" and many positions for the rear wheel axle large wheels i.e. 20"/22"/24". The front caster angle is adjustable which allows for a large combination of seat heights and seat angles to accommodate all kinds of wheelchair Users.

**WARNING! Changing the front and rear axle positions or wheel diameters can only be done by qualified service or advised by a physical therapist qualified in wheelchair fitting. For detailed instructions contact Rehasense or the Dealer for service questions.**

#### Arm rest setting – ICON 35Lx

##### Arm rest assembly



- The arm rest has some adjustable height positions.
- Low height for getting under desk or table
- High height for greater convenience when getting into or out of the wheelchair

#### Frame settings – ICON 35Lx

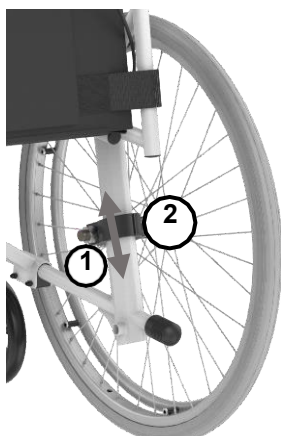
The frame seat heights and angles can be changed by changing the wheel sizes (diameters)

##### 14" rear wheel assembly



- The 14" rear wheel has a fixed axle height position.

##### 20" / 22" / 24" rear wheel assembly



- The large rear wheels have an adjustable axle position.
- To modify the axle height position, you can loosen the nut (1), slide the rear wheel bracket (2) up or down to the required positions and then retighten the nut (1) in the new position.
- Repeat for the other side.

**WARNING! Ensure that both positions are adjusted to the same height.**



When the position or the size of the rear or front wheels is modified, it may be necessary to adjust the angle of the caster to avoid “wheel flutter” and provide a smooth, straight ride.

The head of the bearing house assembly (1) should always be positioned at a 90° angle to the floor. After changing the wheel set-up, adjustment of that angle is necessary.

To adjust the angle of the bearing house:

- Loosen the 2 bolts (2). Adjust the bearing house assembly until the vertical axle of the bearing house (1) is at a 90° angle with the floor
- Add Loctite glue and re-tighten the bolt.



To modify the seat height, you can assemble the front wheels in various positions (3). (In this picture a front fork with 5 different positions is used.) The various holes also allow assembly of front wheels with different diameters.

**WARNING! All above adjustments can only be done by qualified service or advised by a physical therapist. For detailed instructions contact Rehasense or the Dealer for service questions.**

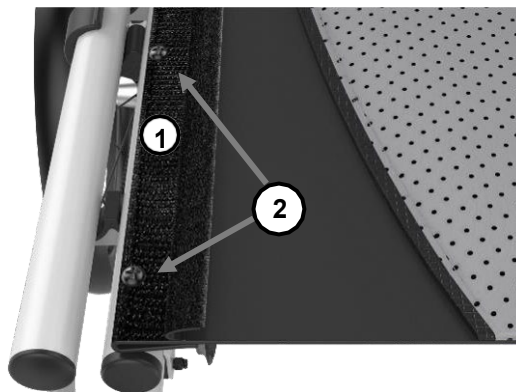


### Upholstery Seat & Back settings – ICON 35Lx

The Lx is fitted with ergonomic seat & back upholstery which has stylish shape in dual colors and 3D mesh fabric. It promotes pressure relief, air circulation and provides more comfortable seating position. It may be removed for washing.

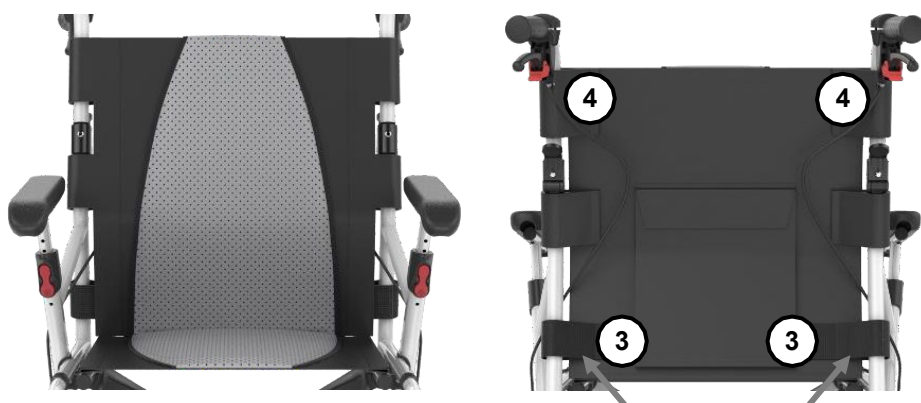
#### Seat & Back upholstery

- To take off the seat upholstery, take the Velcro apart (1) and loosen bolts (2) at the left and right side.





- To take off the back upholstery, take the Velcro apart at the lower back cane (3) and loosen bolts (4) at the left and right side.



## 13.2. General

### 13.2.1. Wheels

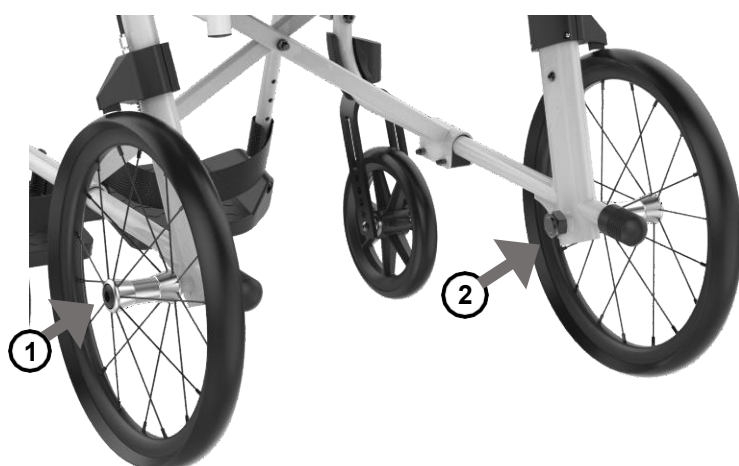
#### Rear wheels

Depending on the order specification your wheelchair may be equipped with rear wheels that have 14", 20", 22" and 24" diameter. The wheels may have pneumatic tyres or puncture proof PU tyres. Other sizes and types of wheels are available on request.

14" wheels are as standard, dedicated to Attendant-propel the wheelchair. Wheelchairs equipped with large wheels (20"/22"/24") can be self-propelled.

#### Bolt fixed axle

14" rear wheels are equipped with bolt fixed axles that allow tool required assembly or disassembly of the rear wheels.



To detach the wheel from the frame:

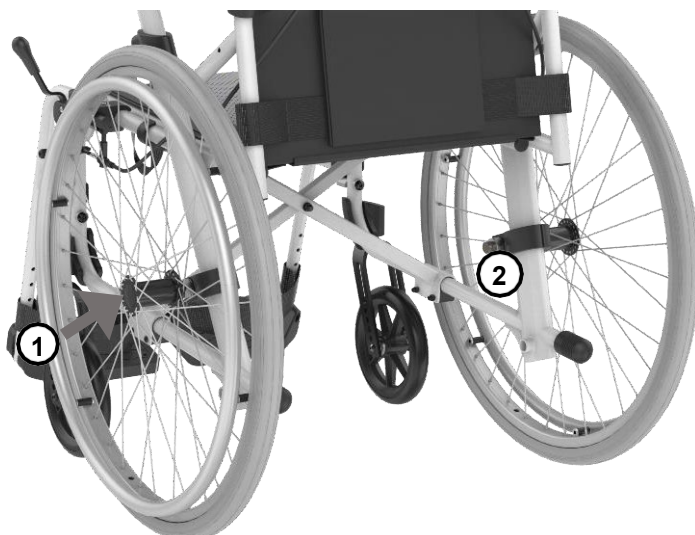
- Hold the nut (2) and release the bolt (1) then pull the wheel out of the bushing.

To re-attach the wheel:

- Push the bolt axle (1) all the way into the bushing, retighten the bolt (1) and nut (2).
- Check that the hub of the wheel is tightened properly without play.

### Quick-release axle

Large rear wheels (20"/22"/24") are equipped with quick-release axles that allow fast assembly or disassembly.



To detach the wheel from the frame:

- Press and hold the release button **(1)** and pull the wheel out of the bushing.

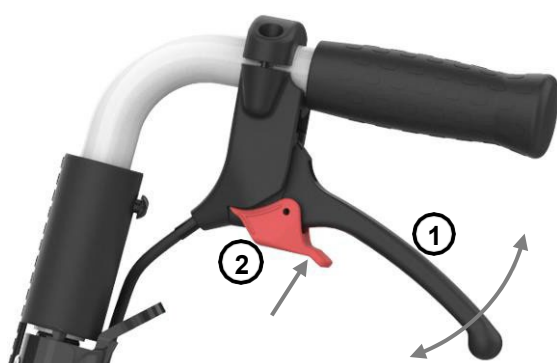
To re-attach the wheel:

- Place the axle's tip in the bushing **(2)**, press and hold the release button **(1)**, push the axle all the way into the bushing and release the button.
- Try to pull the wheel out of the bushing to check if it is safely locked in position.

**WARNING!** Mind your fingers when attaching or detaching the wheels. Don't stick your fingers between spokes or between tyres and push rims.

**WARNING!** Mind your fingers when propelling the wheelchair. Don't stick your fingers between spokes or between tyres and push rims. To secure your fingers you can use spoke protectors, available as accessory.

### 13.2.2. Brakes



Brake disengaged



Brake engaged & locked

- To slow down the rolling wheelchair simultaneously pull up both brake levers **(1)** and control the braking force.
- To stop the wheelchair completely, pull the braking levers all the way up to the stop.
- To disengage the brakes, simply release both braking levers, so they can drop down freely.

To use the brakes as parking brakes you must lock them in engaged position

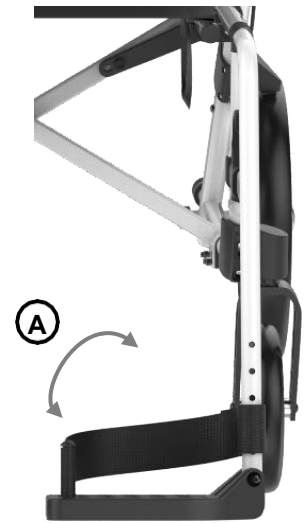
- After activating the brakes with brake levers **(1)** press up the 2 small locking levers **(2)** located under the brake levers.
- To unlock the locked brakes simply pull up both brake levers towards the push handles and then release them. The brakes will unlock themselves.

#### Standard legrests

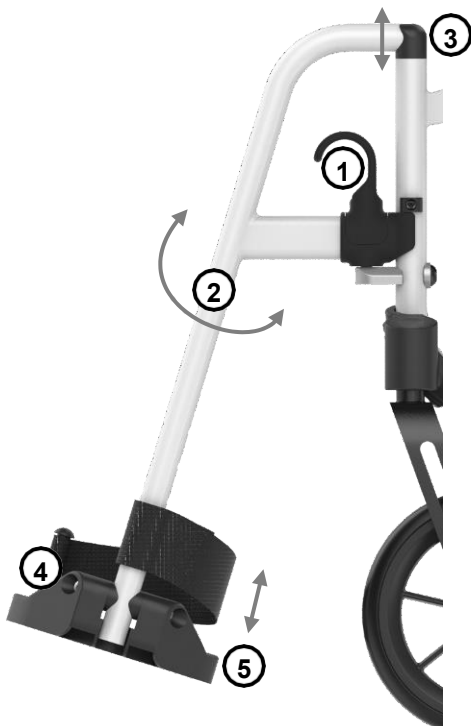
Aluminium with bolt fixation for length adjustment and flip-up footplate.

- The legrests can easily be rotated outwards and detached. They may also be rotated inwards under the seat to allow free leg room around the chair.
- The legrests are height adjustable. If the wheelchair is used outdoors, minimum distance between footplates and ground should be 4-5 cm
- To facilitate an easy transfer into or from wheelchair, the footplates can be easily flipped up (**A**)

**WARNING! It is forbidden to stand on the legrests. It may cause the wheelchair to tip over.**



#### Adjustments of leg rests assembly



#### To swing away or detach the legrest:

- Press the locking lever (**1**).
- Swing the legrest (**2**) outside to approx. 45°.
- Then pull it up to detach from wheelchair's frame (**3**).

#### To attach the legrest:

- Hold it to one side, approx. 45° to a frame.
- Insert the legrest's tip into the hole on the frame (**3**).
- When the legrest hangs on the frame swing it to the front (**2**). The legrest should lock itself automatically.
- Ensure that right and left legrests are assembled to the correct side of the frame.

#### To adjust the height of the foot plate:

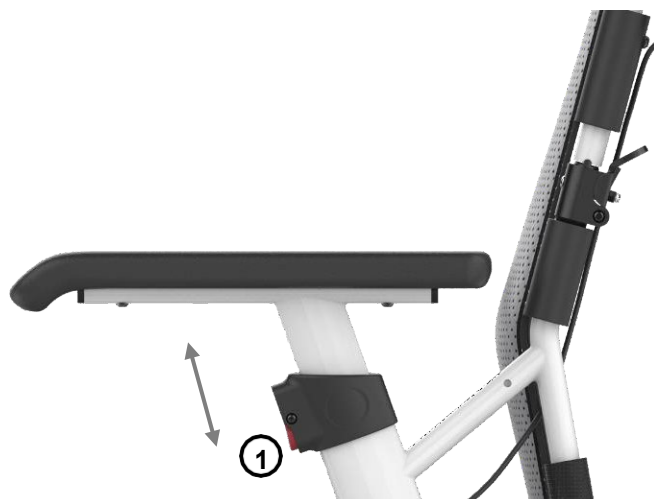
- Loosen the locking bolt (**4**).
- Set the legrest length by moving the footplate (**5**) up or down to the desired height (6 positions).



- Put the bolt in the corresponding hole and tighten with the nut

### 13.2.4. Armrests

#### Armrests (height adjustment)



The armrests of ICON 35Lx are height adjustable.

To change the armrest's height:

- Press and hold the red oval button (1) located on the side frame.
- Use your other hand to set the required height of the armrest pad. Then release the button.

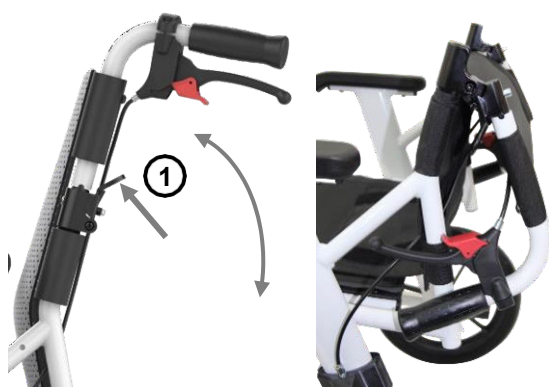
**WARNING! Never use the armrests as grabbing points to lift and to carry the wheelchair.**

**WARNING! Both arm rests should be adjusted to the same height.**

### 13.2.5 Half foldable back mechanism

Both Bx and Lx versions are fitted with a half foldable back mechanism which can reduce the size for storage or handling. It is most compact when the push handles overlap the frame when fully folded.

#### Adjustments of half foldable back mechanism assembly



To fold the push handle tubes:

- Press the 2 levers (1) located on the half foldable back mechanism.
- Fold the handle tubes backward.

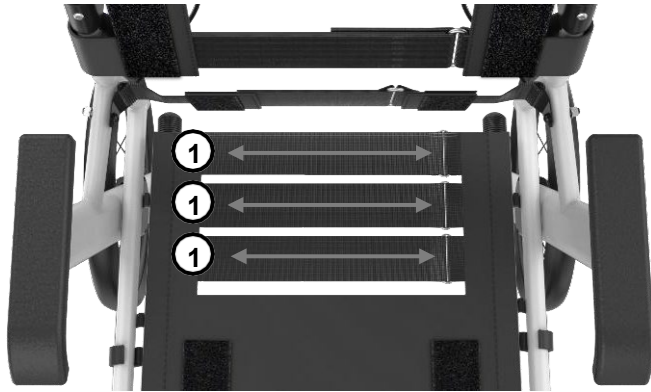
To unfold the push handle tubes:

- Pull the handle tubes back then they will lock itself automatically in the original position.

### 14.1 Ultimate comfort seat & back

With tension adjustment seat & back straps and ergonomic overlay seat & back cushion which has stylish shape in dual colors and 3D mesh fabric. It promotes pressure relief, air circulation and provides ultimate comfortable seating position.

#### 14.1.1 Tension adjustment seat straps

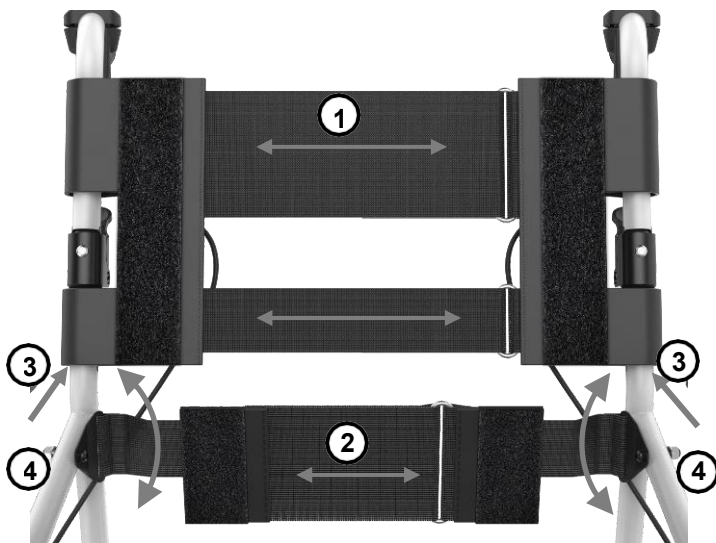


You can adjust the tension of seat straps, to fit the individual User's needs and preferences.

To adjust the seat straps:

- Adjust the tension of the 3 Velcro belts **(1)** until optimal comfort is achieved.

#### 14.1.2 Tension adjustment back straps



You can adjust the tension of the back straps, to fit the individual User's needs and preferences.

To adjust the backrest:

- Adjust the tension of the 2 Velcro belts **(1)** of the upper part until optimal comfort is achieved.
- Adjust the tension of the single Velcro belts **(2)** of the lower part until optimal comfort is achieved.
- The lower back straps with single Velcro belts **(2)** can be rotated freely to get an ultimate comfort position for your lumbar.
- Furthermore, this lower back straps with single Velcro belts **(2)** can be moved upward to be fixed on a new hole **(3)** on the back cane by loosening and retightening the fasteners **(4)** to get a higher position so that your back can be supported better.

### 14.1.3 Overlay seat and back cushion



This is fitted to the tension adjustment seat & back straps with Velcro. You can put it on and take it off the wheelchair in a few seconds.

## 14.2 Anti-tippers

### 14.2.1 Anti-tipping device (swing away) – left side mounted (viewed from rear)

This additional equipment improves the wheelchair's rear stability thus the User's safety. It is specially recommended for Users after lower extremity amputation, but we strongly suggest using it for all Users.

**WARNING! Assembly of an anti-tipping device should be conducted by specialized service or an experienced therapist only.**



The anti-tipping device is active when the small wheel is directed rearwards. If rotated under the wheelchair's frame, it is inactive.

To activate or deactivate the anti-tipping device grasp the horizontal tube and pull it down.

Then twist it around its own vertical axle to the inside of the frame.

Release the tube which will automatically lock itself in position.

### 14.2.2 Anti-tipping device (slide up) – left side mounted (viewed from rear)

This additional equipment improves the wheelchair's rear stability thus the User's safety. It is specially recommended for Users after lower extremity amputation, but we strongly suggest using it for all Users.

**WARNING! Assembly of an anti-tipping device should be conducted by specialized service or an experienced therapist only.**



The anti-tipping device is active when the small wheels are located low, above the ground. If elevated high above the floor, it is inactive.

To activate or deactivate the anti-tipping device pull out the locking pin **(1)** and hold it.

Use your other hand to slide the anti-tip in the required direction (up/down). Then release the locking pin to lock the anti-tip in the selected position.

**In case of any technical questions contact your local distributor or directly with Rehasense.**

**Distributor:**

**Manufacturer**

**Rehasense® Sp. z o.o.**  
 Sulejowska 45G  
 97-300 Piotrków Trybunalski  
 Poland

[www.rehasense.com](http://www.rehasense.com)  
[info@rehasense.com](mailto:info@rehasense.com)